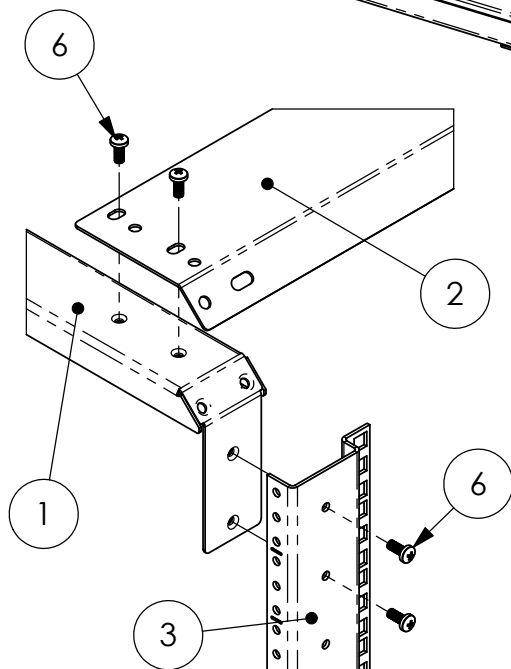
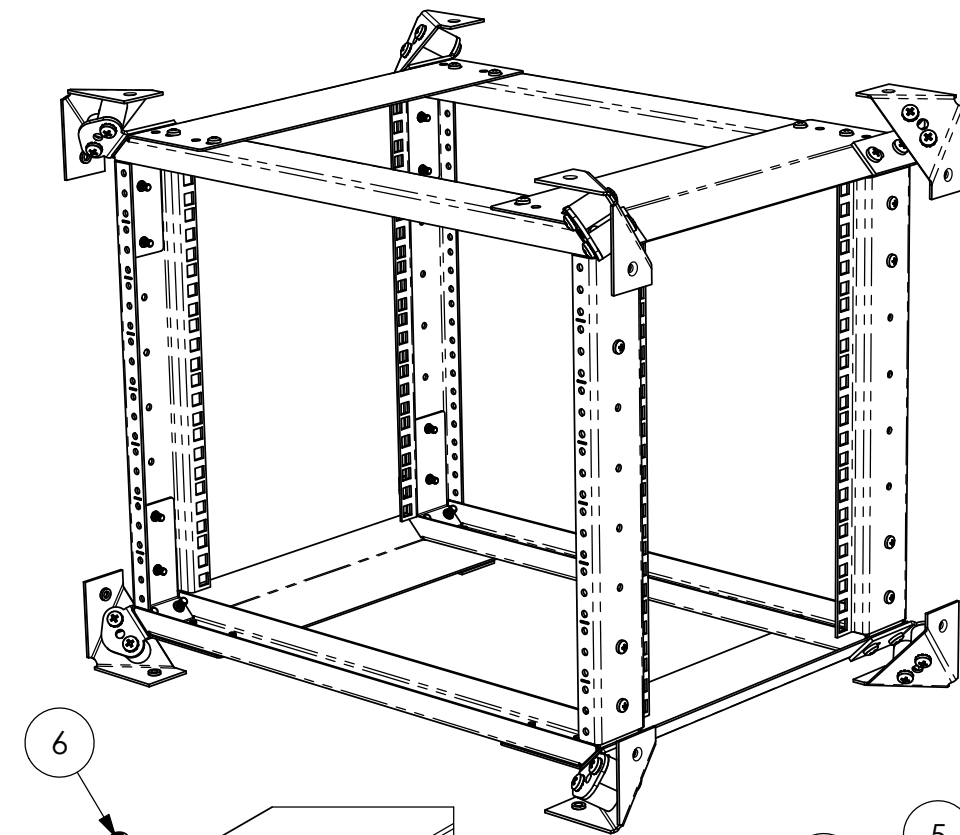
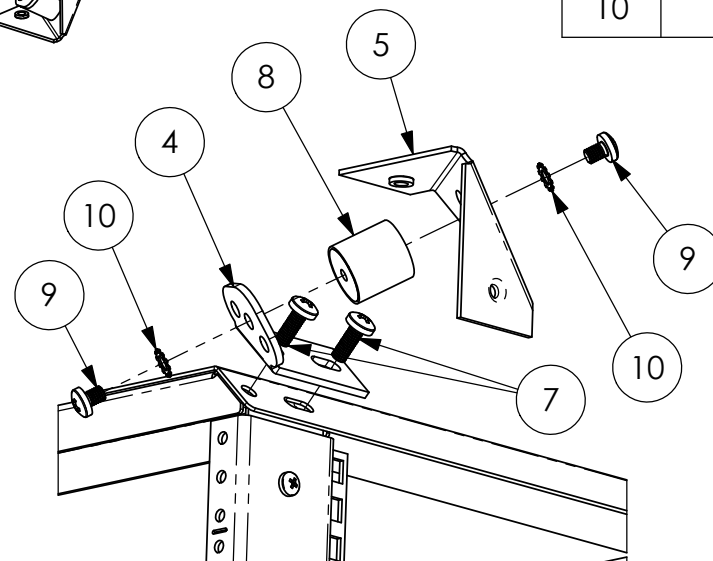


## R8800-70 SHOCK MOUNT SYSTEM

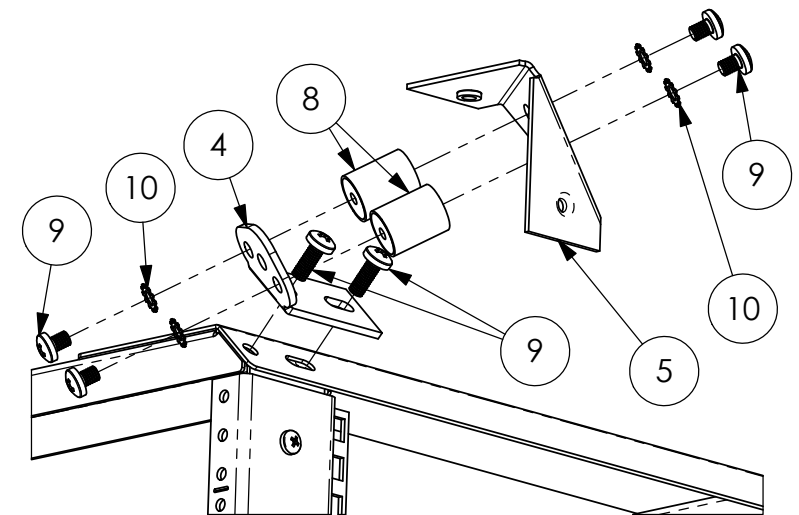
No.	PART NUMBER	QTY.	
1	R8800-70	4	
2	R8820/14 - R8820/32	4	
3	R0883-M6-8	4	
4	R8851	8	
5	R8856-M6	8	
6	M5 x 12 Pozi Pan Screw	32	
7	M6 x 16 Pozi Pan Screw	16	
R8860 Shock Mount Kit		1	2
8	R8860/50 or R8860/90 or R8860/200	8	16
9	M6 x 8 Pozi Pan Screw	16	32
10	M6 Lock Washer	16	32



CORNER ASSEMBLY



SINGLE SHOCK MOUNT ASSEMBLY



DOUBLE SHOCK MOUNT ASSEMBLY