

NEW SERIES 7 PALLET CUSHIONS



CUSHION + SPACER = 102MM / 4"

The National Cargo Security Council (NCSC) estimates that the global financial impact of cargo loss exceeds \$50 billion annually. Amazon alone lost nearly \$7.2 billion on shipping in 2016.

Sensitive and valuable equipment can easily be damaged by shocks, drops, and impact during transit or handling.

Our Pallet Cushions are the most economical and reliable way to replace and upgrade wooden skid runners on pallet crates, eliminating the need for costly air-ride trucks, these air-dampened polyethylene cushions are easily attached to pallets or crates to provide a high level of protection from shock and vibration.

Don't risk shipment damage by shocks, drops, and impact during transit or handling.

Easy to Install

- The pre-installed t-nut, with a 5/16"-18 UNC thread, protrudes out of the cushions for easy location into the mounting hole and fast installation. (Also available with an M8 threaded t-nut or without t-nut)
- The pallet cushions are mounted directly on a pallet or container base with a simple bolt.

Reusable

- The pallet cushions can be easily removed and mounted again on another pallet.

Simple and Practical

- Our Series 7 Pallet Cushions, once fitted with the 7228 Spacer, create a four-way 4" space under the pallet, which makes it easy to load and unload with a pallet jack and forklift.

Textured Finish

- The Series 7 Pallet Cushions has a textured finish for a better grip.

Resistant and Durable

- Our Pallet Cushions have been through rigorous stress tests. They can be dragged on concrete and joints for 3000 feet, at maximum load, with only minimal wear noted. Suitable for use between -104°F and +130°F (-40°C to + 54°C) and chemical resistant.

WITH 5/16"-18 UNC THREADED T-NUT



7035

Load Rating: 9.1Kg - 15.9Kg
T-Nut: 5/16"-18 UNC
Color: Tan



7050

Load Rating: 13.6Kg - 22.7Kg
T-Nut: 5/16"-18 UNC
Color: Green



7080

Load Rating: 20.4Kg - 36.3Kg
T-Nut: 5/16"-18 UNC
Color: Yellow



7125

Load Rating: 31.8Kg - 56.7Kg
T-Nut: 5/16"-18 UNC
Color: Blue



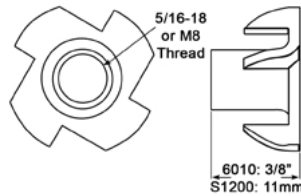
7225

Load Rating: 56.7Kg - 102Kg
T-Nut: 5/16"-18 UNC
Color: Orange



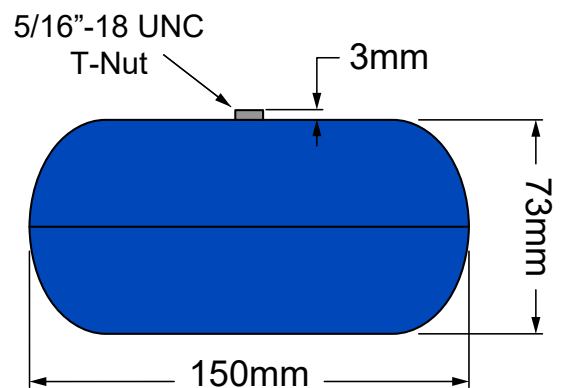
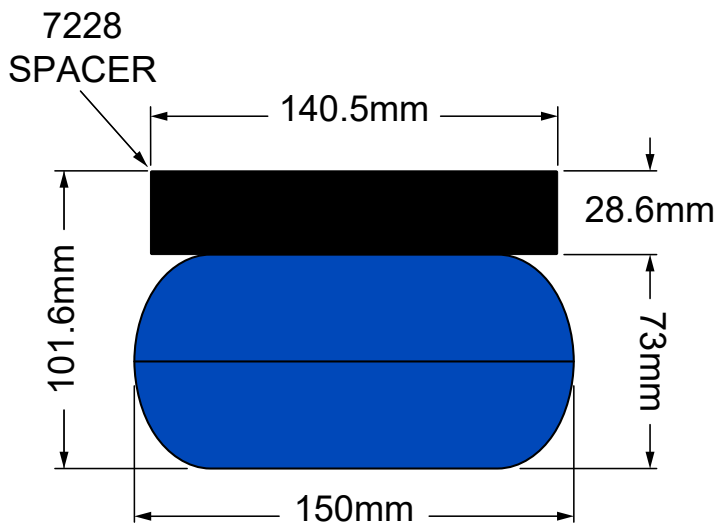
7228

Adds 28.6mm to the cushion's height and create a 102mm space



Replacement T-Nuts

6010 - 5/16"-18 UNC Threaded



WITH M8 THREADED T-NUT



7035-M8

Load Rating: 9.1Kg - 15.9Kg
T-Nut: M8
Color: Tan



7050-M8

Load Rating: 13.6Kg - 22.7Kg
T-Nut: M8
Color: Green



7080-M8

Load Rating: 20.4Kg - 36.3Kg
T-Nut: M8
Color: Yellow



7125-M8

Load Rating: 31.8Kg - 56.7Kg
T-Nut: M8
Color: Blue



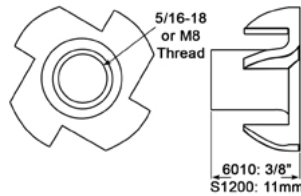
7225-M8

Load Rating: 56.7Kg - 102Kg
T-Nut: M8
Color: Orange



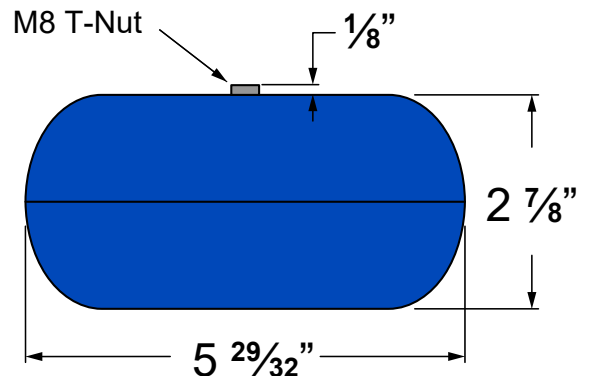
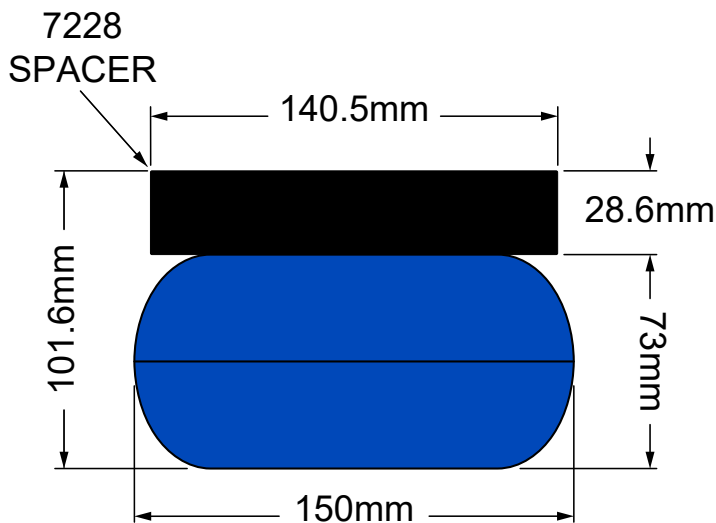
7228

Adds 28.6mm to the cushion's height and create a 102mm space



Replacement T-Nuts

S1200 - M8 Threaded



WITHOUT T-NUT



7035-NT

Load Rating: 9.1Kg - 15.9Kg
No T-Nut
Color: Tan



7050-NT

Load Rating: 13.6Kg - 22.7Kg
No T-Nut
Color: Green



7080-NT

Load Rating: 20.4Kg - 36.3Kg
No T-Nut
Color: Yellow



7125-NT

Load Rating: 31.8Kg - 56.7Kg
No T-Nut
Color: Blue



7225-NT

Load Rating: 56.7Kg - 102Kg
No T-Nut
Color: Orange



7228

Adds 28.6mm to the cushion's height and create a 102mm space

