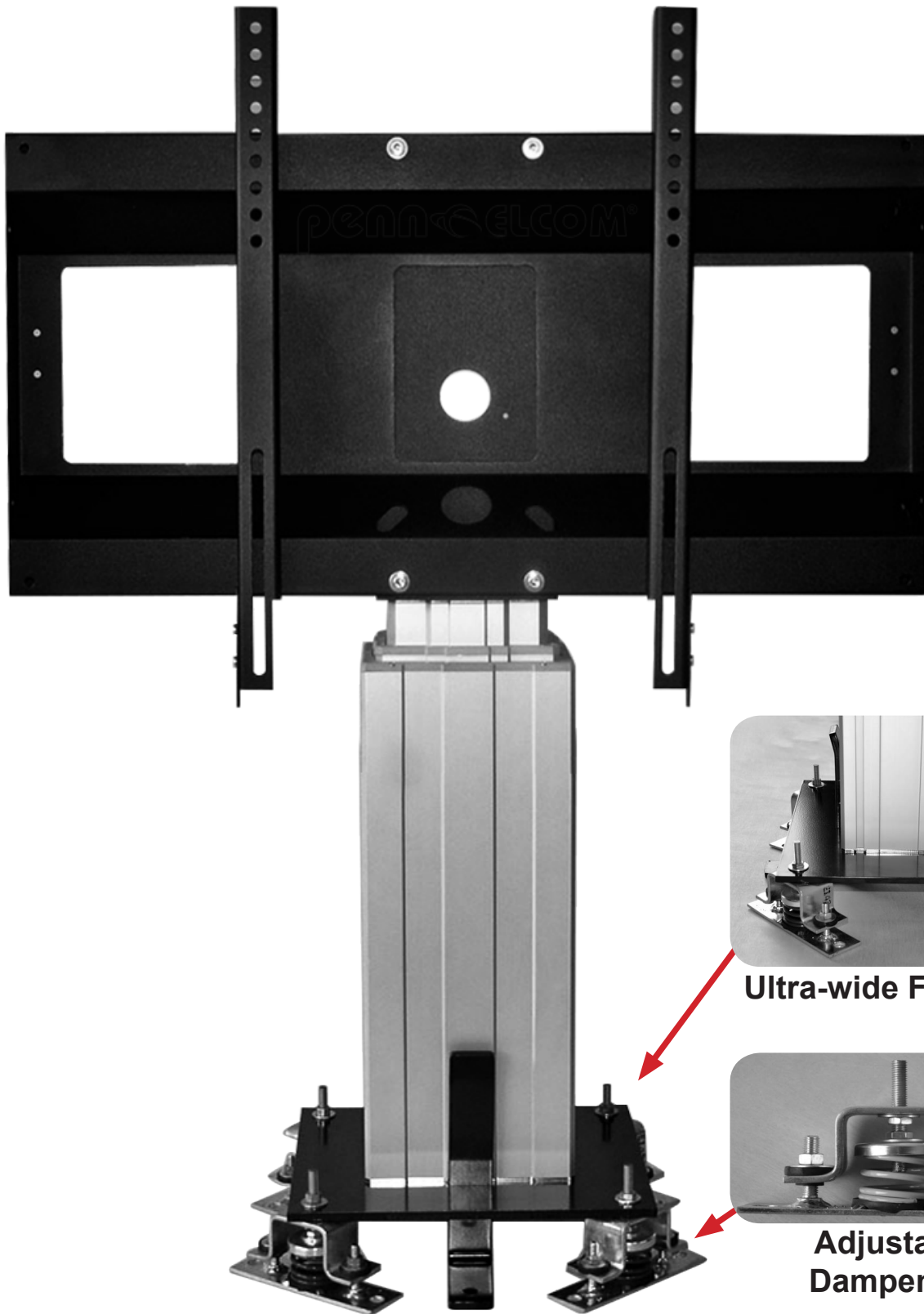


Industrial Grade Lift Column

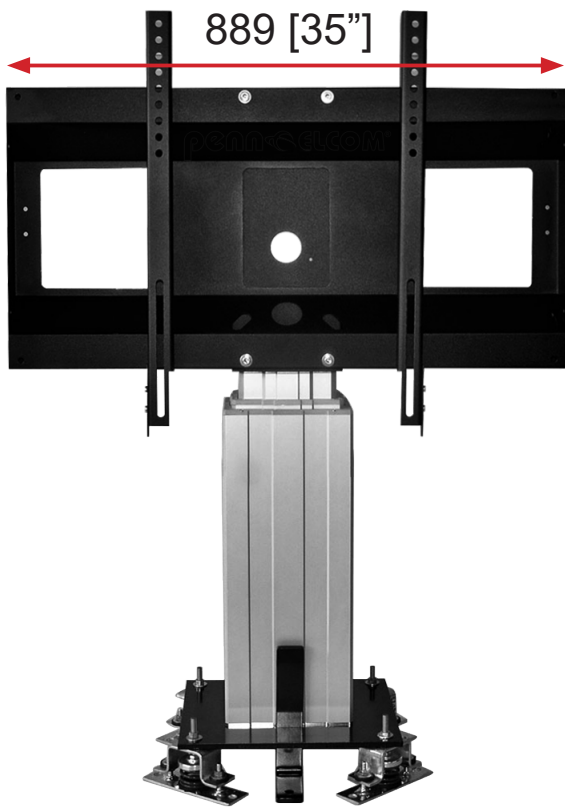
PS84-DLC35: 889mm [35"] Wide

PS84-DLC55: 1397mm [55"] Wide



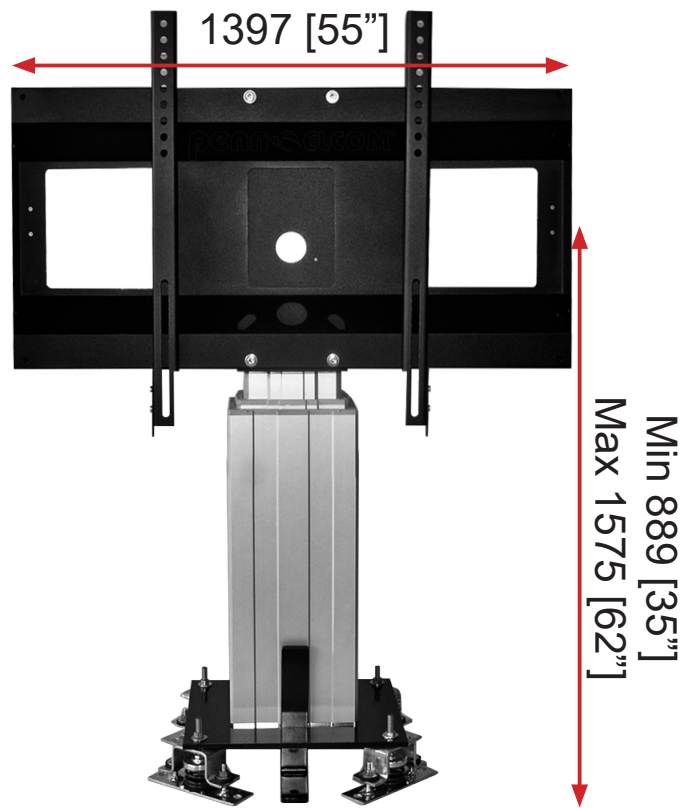
Ultra-wide Footprint

**Adjustable
Dampeners**



PS84-DLC35

VESA Min 200 x 200 [7.9" x 7.9"]
 VESA Max 800 x 600 [31.5" x 23.6"]



PS84-DLC55

VESA Min 300 x 200 [11.8" x 7.9"]
 VESA Max 1200 x 600 [47.2" x 23.6"]

Features:

- 300lb / 136kg Maximum Static Load
- 686mm [27"] Vertical Travel
- Tip Resistant Supports
- Ultra Wide 9.5mm [3/8"] Steel Base
- Quad Industrial Grade Adjustable Dampeners
- Motorized System meets the requirements of UL 62368-1 and CSA C22.2 safety standards

Limited Warranty: 2yrs. The Limited Warranty covers manufacturing defects in the products from date of production. Improper operation, installation, over-spec applications, function failure caused by other assembled products, unexpected natural calamity or aggressive use is not covered. Manufactured by BALD Technologies, INC. www.baldtechnologies.com