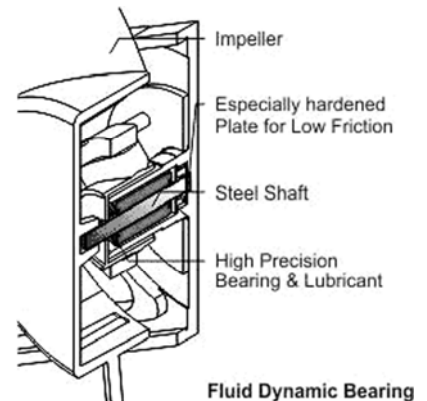




NEW quiet fan kits are designed to be fitted in the pre-punched 120mm dual fan vent holes in the 19-inch Comms and Data Rack Enclosures.

Technical Specifications

- Low Noise **22.5dBA** (0.3 Sone)
- 150CFM (252m³/h) @ 1,350RPM
- High Static Pressure
- 2 x 9 Bladed 120mm Fans
- 12V DC - 500mA
- 2 x DC In/Out Sockets
- Temperature Sensor Socket
- DC in/out sockets
- 500mA world wide universal PSU supplied
- Mounting Holes align with EMS enclosure range
- Fan Dimensions (OD) 120 x 120 x 25mm (4³/₄" x 4³/₄" x 1")
- Combined Weight 400grams
- Fluid Bearings = 2 Year Limited Warrantee



The life span of these Swiss Designed fans has been extended with the use of a Japanese Dual Ball Bearing bush & fluid giving continuous operation 24/7 without compromise. Dust and high temperatures have less effect than standard bearings - the perfect choice for reliability. The fans life span is up to 5 times longer than comparative models.

**REGULAR MONTHLY CLEANING OF THE FAN BLADES TO REDUCE ANY DEPOSIT BUILD UP IS ADVISED
USE A SMALL PAINT BRUSH DO NOT USE AN AIR BLOWER WITHOUT STOPPING THE BLADES**



Thermal Control

A thermal sensor accessory, the **CRC-TEMP** can be Plugged into the TEMP socket. It is set to operate at 40° and will reset at 30°, + or - 2°.

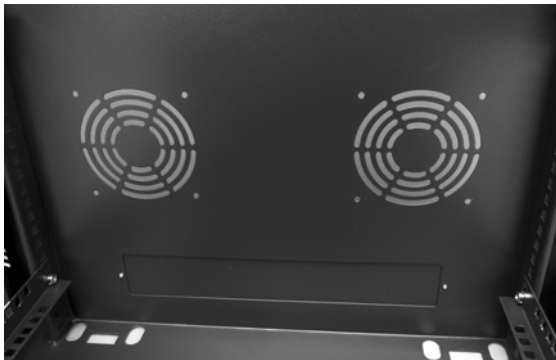
Using the acrylic adhesive pad, it should be attached to an area where the sensor can pick up the ambient temperature of the equipment being cooled, and **NOT** directly to the main heat source.



CRC-TEMP



UNIVERSAL PSU



This fan kit is designed to be fitted in pre-punched 120mm Dual fan 19-inch Comms and Data Racks.

Just remove the cover plates on the fan grilles, Then align and fit the fan units in place using the 8 screws provided.



penn ELCOM®