

FT80-Q-FC - Flight Case Exhaust Unit

*Quiet Exhaust Solution
for Flight Case Racks*



Penn Elcom brings you a new and quiet exhaust fan unit for flight case racking that is mounted into a Penn Elcom large dish for your convenience.

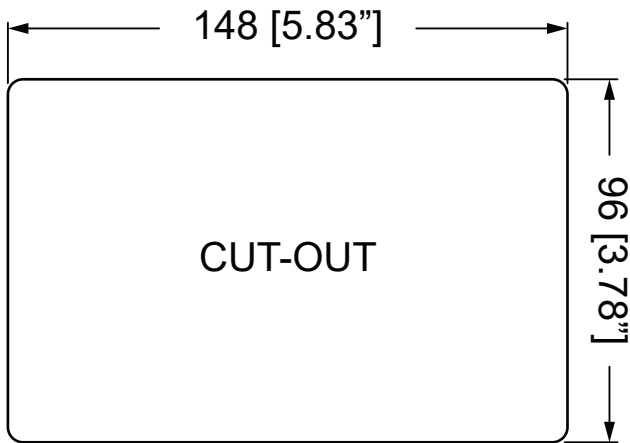
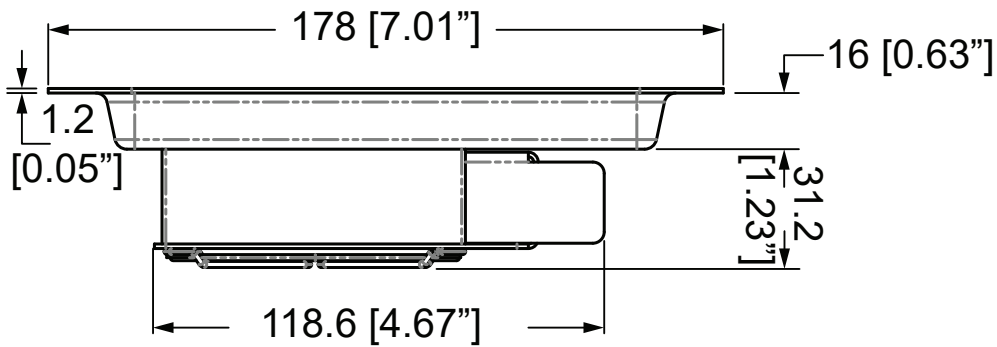
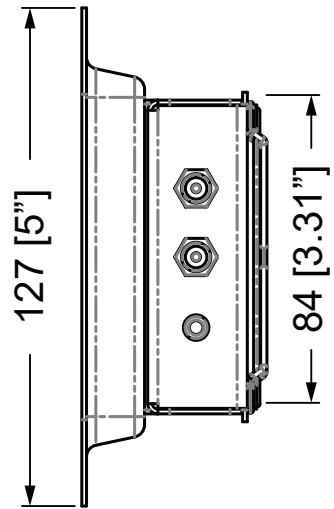
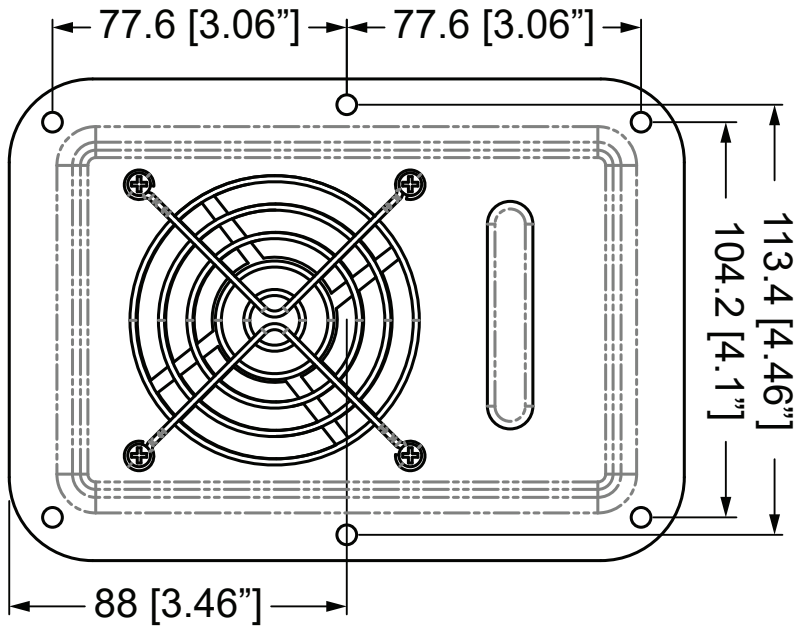
The FT80-Q-FC regulates the enclosure's temperature by expelling hot air, preventing thermal failure. Thermal failure is caused by many generic in-board fans that simply circulate hot air within the enclosure rather than expelling it.

- Low noise level 22.5dBA (0.3 sone)
- 28CFM (47.6m³/h) at 2000 RPM
- High static pressure
- 1 x 9 bladed 80mm / 3.15" fan
- 12V DC - 200mA
- 2 x DC in/out sockets
- Temperature sensor socket
- 500mA universal PSU supplied
- Dimensions: 178mm x 127mm x 47.5mm / 7" x 5" x 1.87"
- Combined weight of 400g / 0.88Lb
- Fluid bearings = 2 year limited warrantee

Thermal Control

A thermal sensor accessory, the CRC-TEMP can be plugged into the TEMP socket. It is set to operate at 40° and will reset at 30°, + or - 2°.

Using the acrylic adhesive pad, the CRC-TEMP should be attached to an area where the sensor can pick up the ambient temperature of the equipment being cooled, and therefore should NOT directly to the main heat source.



Universal PSU

PLEASE NOTE: When positioning the cut out for the exhaust make sure there are no air flow restrictions. Before fitting make sure there is enough space for the unit to fit and function.

Once mounted, hook-up to the 12V DC PSU via the input socket. A second unit can also run from the 500mA power supply using a CRC-LINK cable.

Regular monthly cleaning of the fan blades to reduce any deposit build up is advised. Using a small paint brush for cleaning is suggested. Do not use an air blower without stopping the blades.