

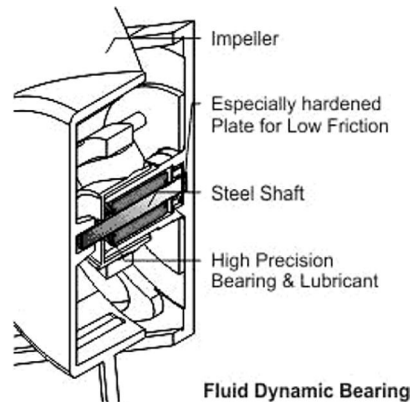


Product Description

1U Rack Mountable Digital Thermostatically Controlled Quiet Fan Tray unit, for use in 19" equipment racks. It is designed be fitted at the top of the rack to move hot air up through the rack as required.

Technical Specifications

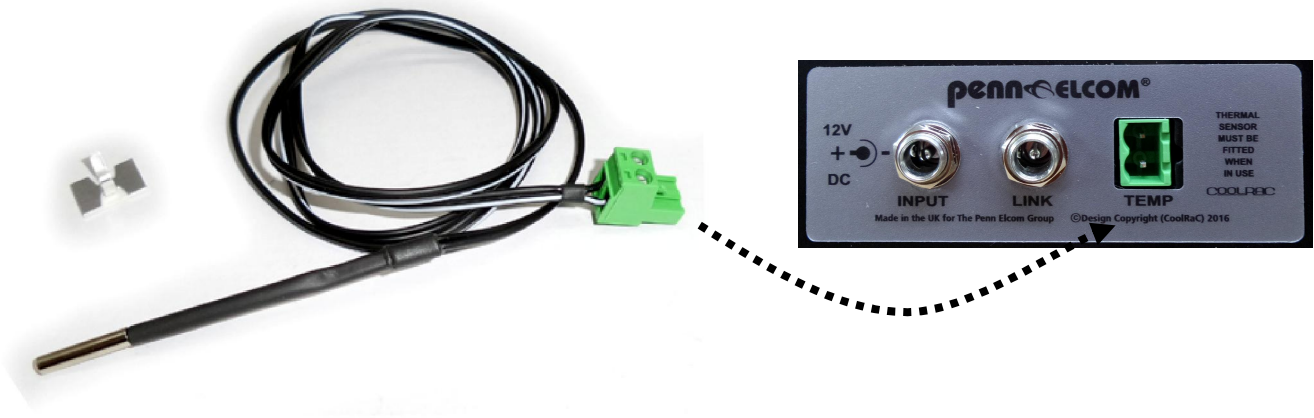
- Continuous temperature monitoring
- Set & forget fan control
- Fan run LED indicator
- Over temperature alarm
- Temperature Sensor Input Socket
- Plug-in PTC sensor 1m lead
- Low Noise (22.5 dBA)
- 12V DC Operation - 500mA
- 3 x 9 Bladed Swiss 120mm Fans
- 220 CFM / 378m³/h
- Japan made Fluid Bearings
- Temperature Sensor Input Socket
- DC in/out sockets
- 1A world wide universal PSU supplied
- Black Powder Coated Steel Construction
- Dimensions (OD) 44.5 x 483 x 222mm
- Weight 1.4kgs



Thermal Control

A thermal PTC sensor is provided and will need to be plugged into the fan tray before use. The unit is factory set to operate at 30° and will reset as the temperature falls back by 4°. Custom settings can be made using the front panel buttons.

Using the alloy adhesive clip the sensor should be mounted onto an area where the sensor can pick up the ambient temperature of the equipment being cooled, and **NOT** directly to the main heat source.

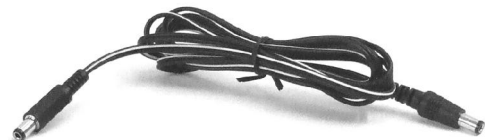


Power Supply

A UNIVERSAL-PSU 12V DC 1A supply that can power up to 2 fan units is supplied.



The **Link** socket shown below can be used to pass this power to 1 other unit via a **CRC-Link** cable



CRC-LINK

penn-ELCOM®

9-10 Parsons Road, Parsons Industrial Estate, Washington Tyne & Wear, NE37 1HB, UK
0191 416 1717 or www.penn-elcom.com

© 2016 -FT01Q-DTC 1U FAN TRAY is the exclusive design copyright of Penn-Elcom UK NE37 1HB - E&OE

These Digital Thermostatic Controller Modules are fitted in 3 products within the Penn- Elcom COOLRAC range and are used to monitor and manage all of our low noise DC fan units.



PLEASE NOTE: The temperature probe must be plugged in for this unit to operate, an alarm will sound if it is not connected.

It is vital that the sensor probe is fitted in the right area to get the best result from your controller

DO NOT fit it too near the main heat source as it will always be **ON**.

Somewhere close to the top of the rack is probably the best place to pick up the ambient temperature of the enclosure. Although to get the best result, some experimentation may be needed.

Once in the right place the average temperature of the enclosure will then be constantly displayed.

Setting the fan ON temperature

The units are factory set to **30°** to change this:-

Press the **SET** button once to show the **ON** temperature

Adjust temperature using up and down buttons.

Deduct **2°** from the desired activation temperature

Press **OK** button to save this temperature setting.

Please note fans will stop **2°** below the setting entered

The red indicator at the bottom will light when the unit is **ON**

This unit is multi-functional, so pressing buttons in the wrong sequence can cause the unit to malfunction see section below

Resetting the Default Values

Press and hold the **SET** button until **P0** is shown in display.

Press the down button, until **P8** is shown in display

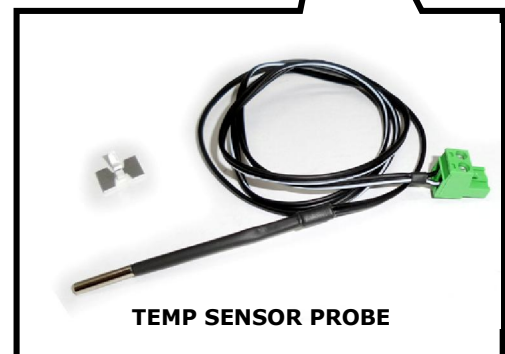
Press **SET** button, so **OFF** is shown in display

Press the down button and **ON** will be shown in display

Finally Press the **OK** button.

Then set back to the desired temperature.

REAR INPUT PANEL



9-10 Parsons Road, Parsons Industrial Estate, Washington Tyne & Wear, NE37 1HB, UK
0191 416 1717 or www.penn-elcom.com