

SMOL3 Medium Latches

Automatic Open/Close System

Low Profile / Flat Cam Technology

Latch Retainer Safety Feature

Available Offset Variations

No Offset, 22mm / 7/8", 27mm / 1 1/16"
and 27mm / 1 1/16" on Bottom Half Only

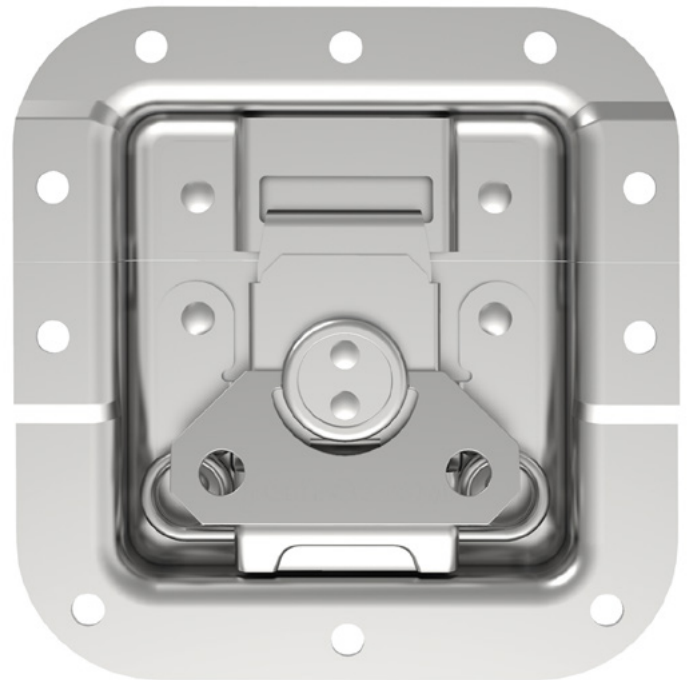
Available Dish Depth Variations

14mm / 1/2" and 10mm / 3/8"

Material: 1.2mm / 18 gauge steel

Finish: PennBrite™ Zinc

Maximum Load Capacity: 140kg / 308lb

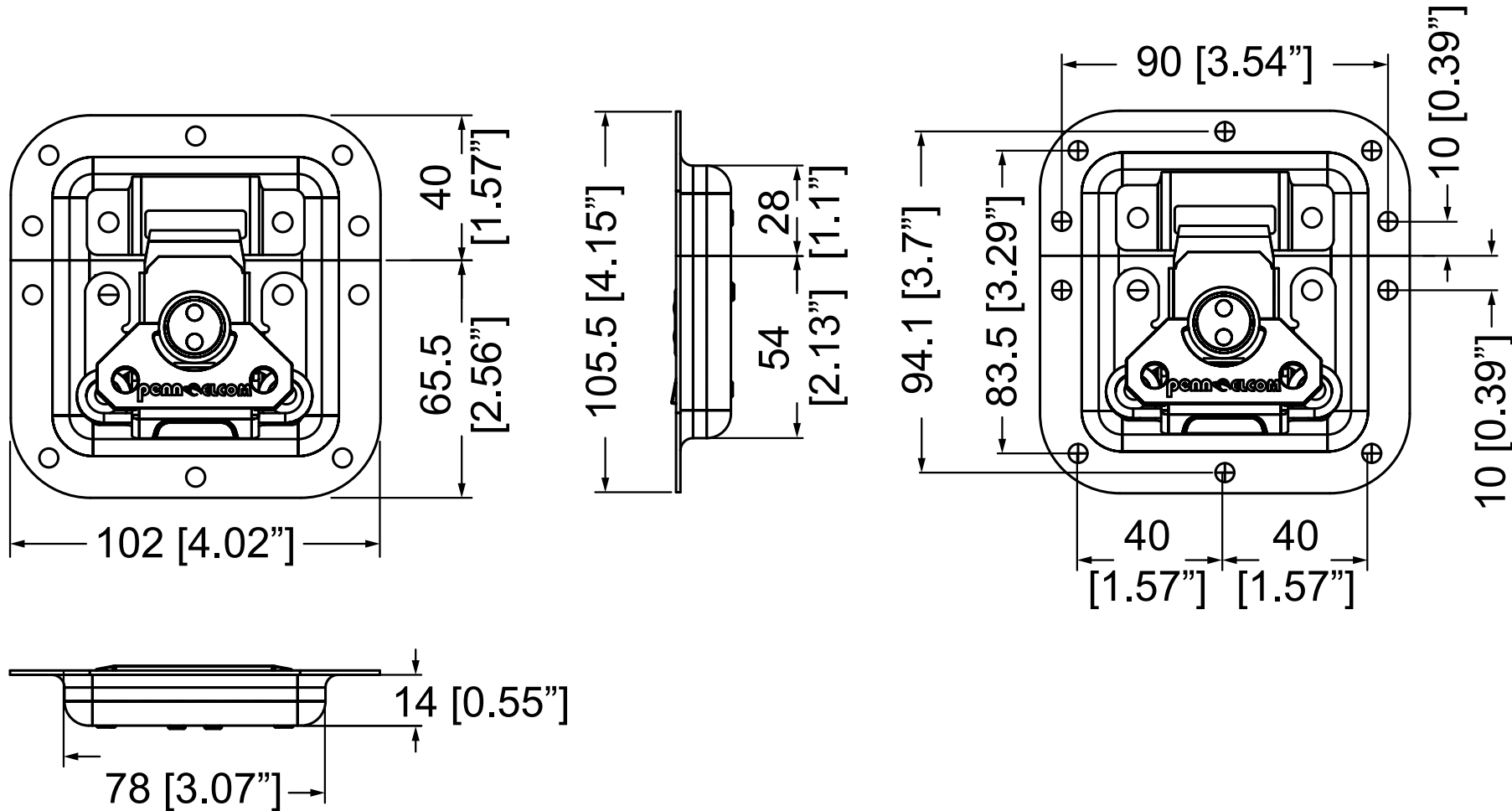


Part No.	Dish Depth	Offset	Weight
14mm / 1/2" Deep Dish			
L905/928SMOL3	14mm / 1/2"	No Offset	0.22kg / 0.47lb
L978/928SMOL3	14mm / 1/2"	22mm / 7/8"	0.22kg / 0.47lb
L907/928SMOL3	14mm / 1/2"	27mm / 1 1/16"	0.22kg / 0.47lb
L9075/928SMOL3	14mm / 1/2"	27mm / 1 1/16" on Bottom Half Only	0.22kg / 0.47lb
10mm / 3/8 Deep Dish			
L905/928/10SMOL3	10mm / 3/8"	No Offset	0.21kg / 0.45lb
L907/928/10SMOL3	10mm / 3/8"	27mm / 1 1/16"	0.21kg / 0.45lb
L9075/928/10SMOL3	10mm / 3/8"	27mm / 1 1/16" on Bottom Half Only	0.21kg / 0.45lb

PENN ELCOM TECHNICAL DRAWINGS

L905/928SMOL3

Medium MOL®3 Latch in 14mm / 1/2" Deep Plain Dish



Web: www.penn-elcom.com

E-Mail: info@penn-elcom.com

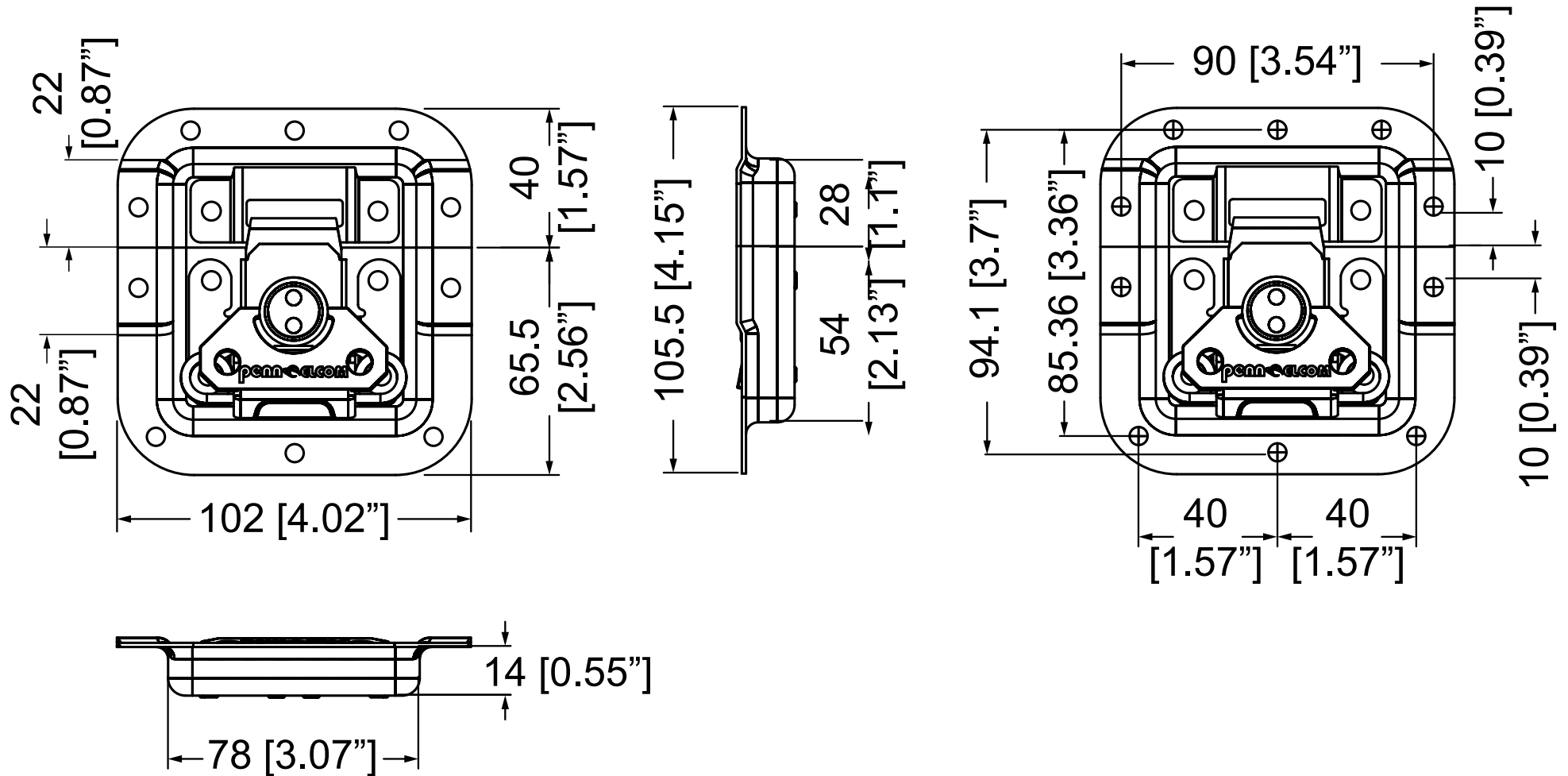
penn ELCOM®

THE INFORMATION CONTAINED IN THIS DRAWING IS THE SOLE PROPERTY OF PENN ELCOM LIMITED. ANY REPRODUCTION OR TRANSFER TO OTHER DOCUMENTS IN PART OR AS A WHOLE WITHOUT THE WRITTEN PERMISSION OF PENN ELCOM LIMITED IS PROHIBITED. PENN ELCOM LIMITED ACCEPTS NO RESPONSIBILITY OR LIABILITY FOR THE CORRECTNESS, ACCURACY AND COMPLETENESS OF THIS ILLUSTRATION.

PENN ELCOM TECHNICAL DRAWINGS

L978/928SMOL3

Medium MOL®3 Latch in 14mm / 1/2" Deep Dish with 22mm / 7/8" Offset



Web: www.penn-elcom.com

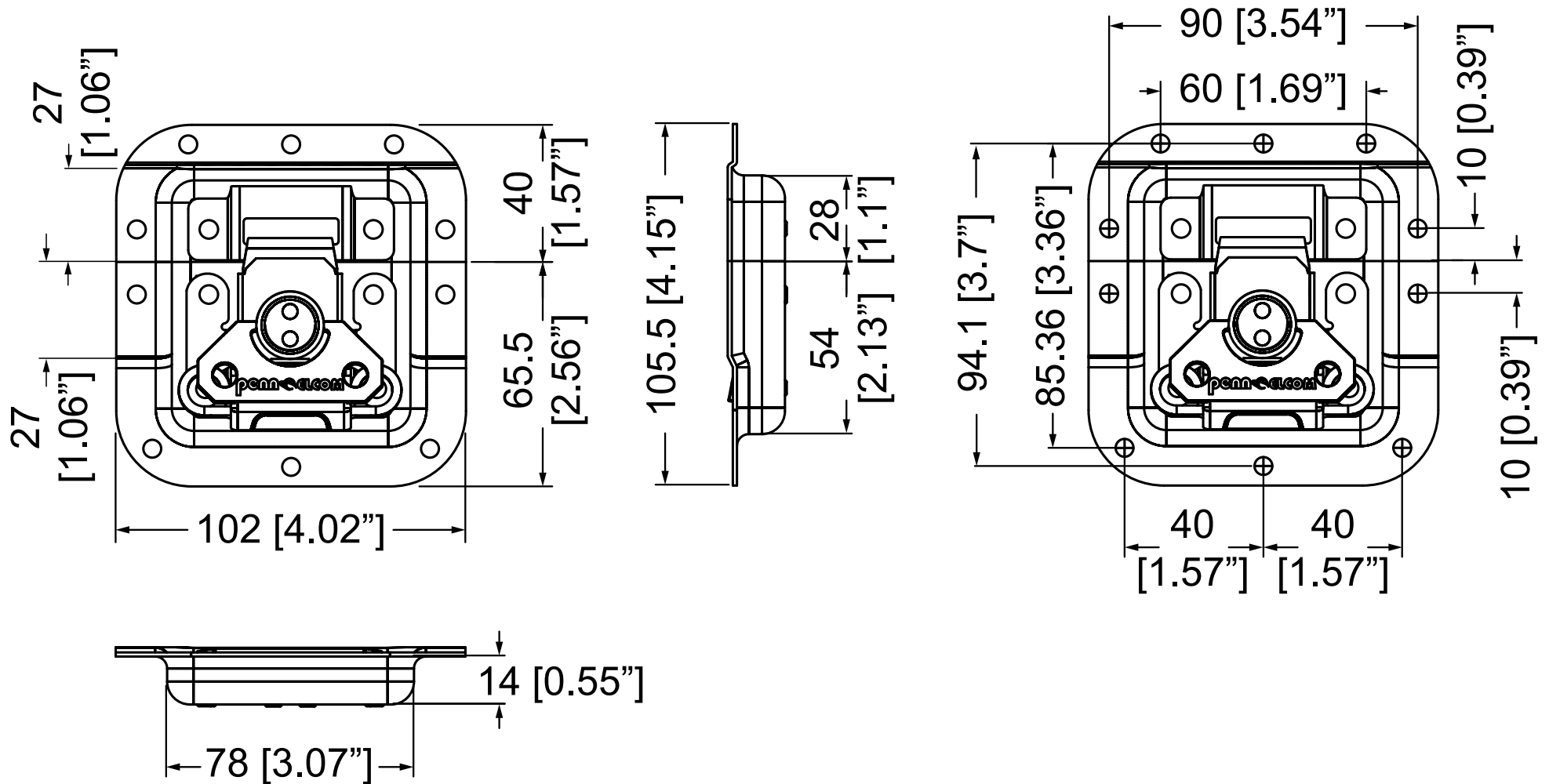
E-Mail: info@penn-elcom.com



PENN ELCOM TECHNICAL DRAWINGS

L907/928SMOL3

Medium MOL®3 Latch in 14mm / 1/2" Deep Dish with 27mm / 1 1/16" Offset



Web: www.penn-elcom.com

E-Mail: info@penn-elcom.com

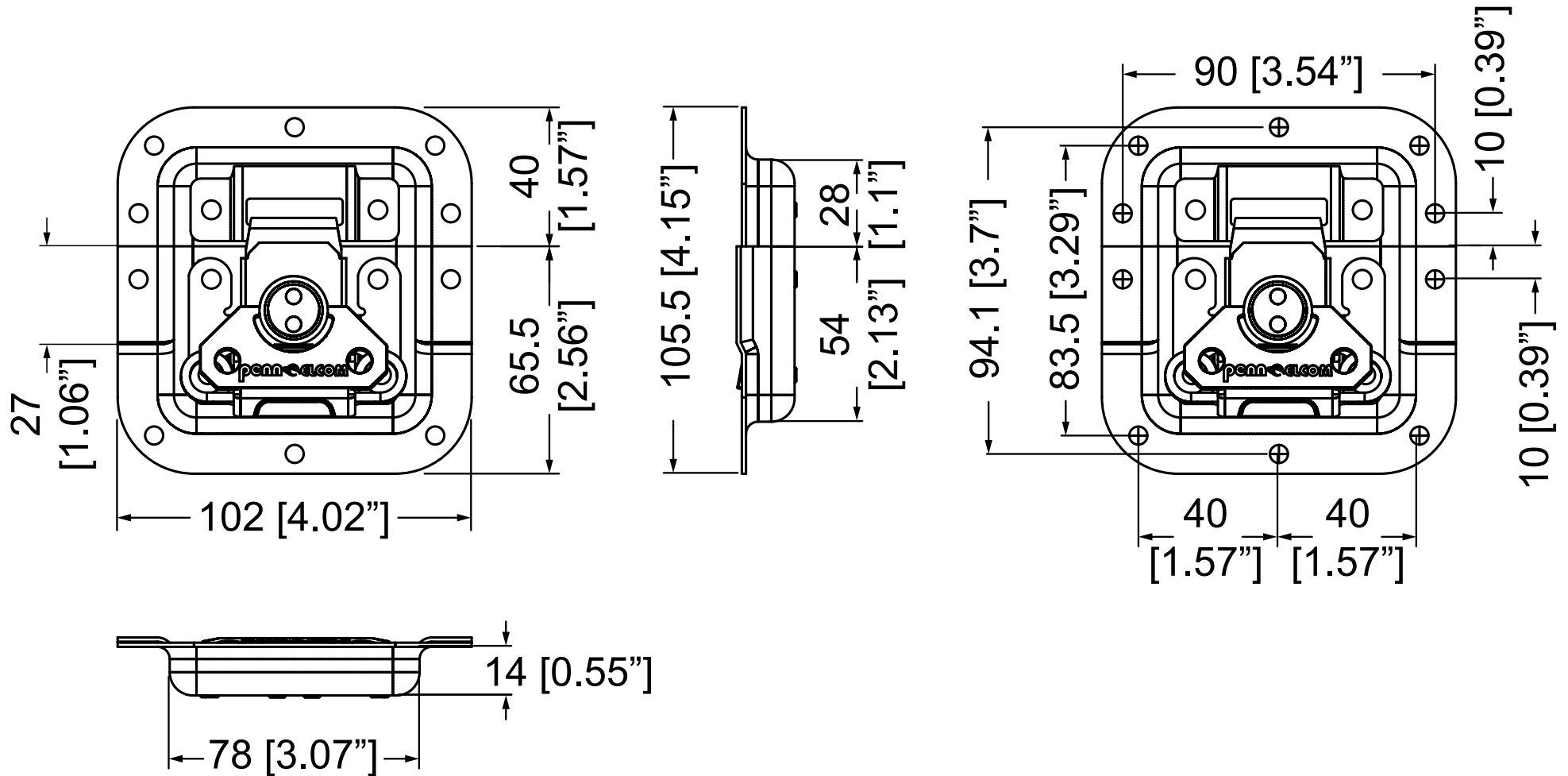


THE INFORMATION CONTAINED IN THIS DRAWING IS THE SOLE PROPERTY OF PENN ELCOM LIMITED. ANY REPRODUCTION OR TRANSFER TO OTHER DOCUMENTS IN PART OR AS A WHOLE WITHOUT THE WRITTEN PERMISSION OF PENN ELCOM LIMITED IS PROHIBITED. PENN ELCOM LIMITED ACCEPTS NO RESPONSIBILITY OR LIABILITY FOR THE CORRECTNESS, ACCURACY AND COMPLETENESS OF THIS ILLUSTRATION.

PENN ELCOM TECHNICAL DRAWINGS

L9075/928SMOL3

Medium MOL®3 Latch in 14mm / 1/2" Deep Dish with 27mm / 1 1/16" Offset on Bottom Half Only



Web: www.penn-elcom.com

E-Mail: info@penn-elcom.com

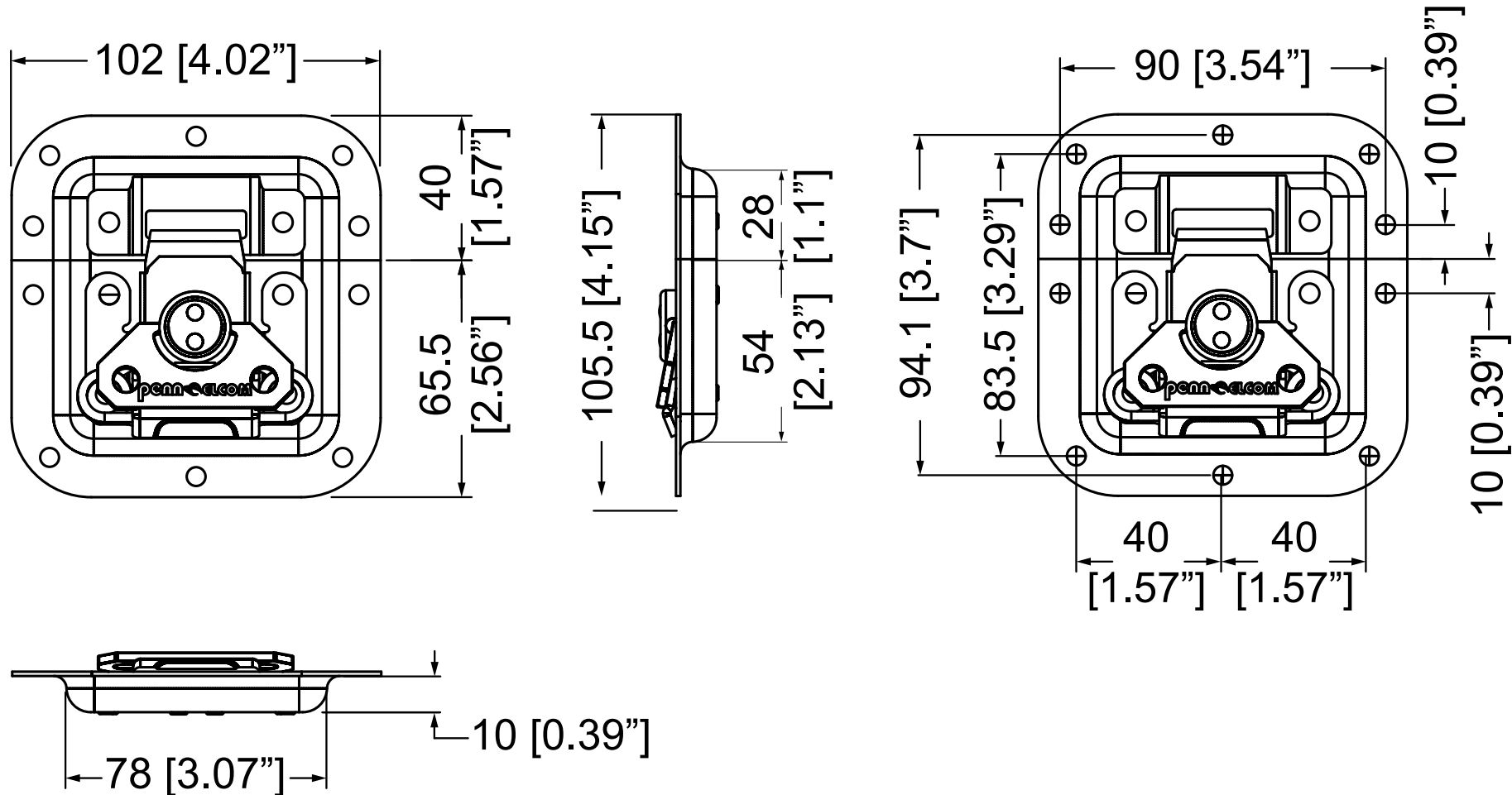
penn ELCOM®

THE INFORMATION CONTAINED IN THIS DRAWING IS THE SOLE PROPERTY OF PENN ELCOM LIMITED. ANY REPRODUCTION OR TRANSFER TO OTHER DOCUMENTS IN PART OR AS A WHOLE WITHOUT THE WRITTEN PERMISSION OF PENN ELCOM LIMITED IS PROHIBITED. PENN ELCOM LIMITED ACCEPTS NO RESPONSIBILITY OR LIABILITY FOR THE CORRECTNESS, ACCURACY AND COMPLETENESS OF THIS ILLUSTRATION.

PENN ELCOM TECHNICAL DRAWINGS

L905/928/10SMOL3

Medium MOL®3 Latch in 10mm / 3/8" Deep Plain Dish



Web: www.penn-elcom.com

E-Mail: info@penn-elcom.com

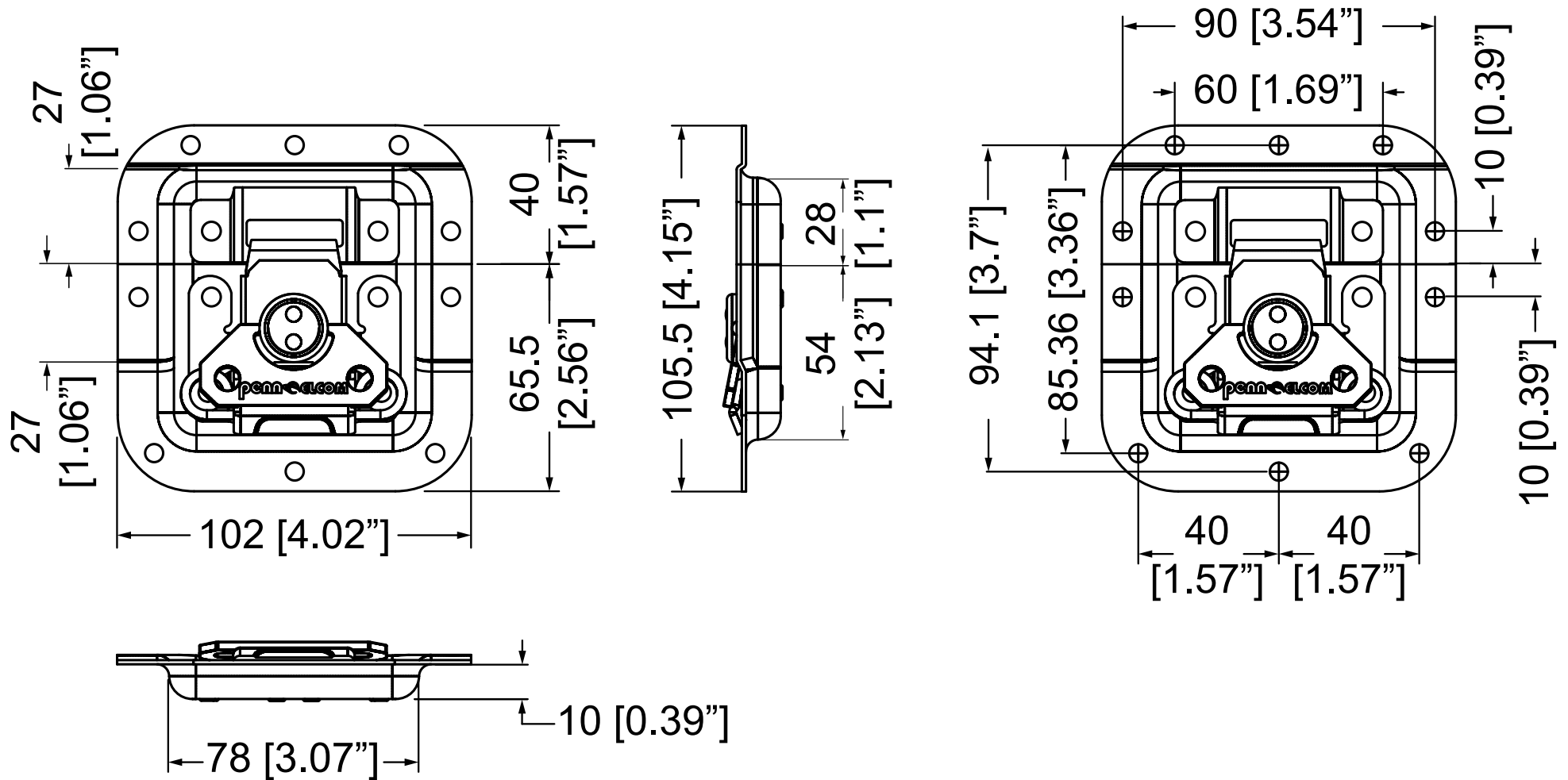
penn ELCOM®

THE INFORMATION CONTAINED IN THIS DRAWING IS THE SOLE PROPERTY OF PENN ELCOM LIMITED. ANY REPRODUCTION OR TRANSFER TO OTHER DOCUMENTS IN PART OR AS A WHOLE WITHOUT THE WRITTEN PERMISSION OF PENN ELCOM LIMITED IS PROHIBITED. PENN ELCOM LIMITED ACCEPTS NO RESPONSIBILITY OR LIABILITY FOR THE CORRECTNESS, ACCURACY AND COMPLETENESS OF THIS ILLUSTRATION.

PENN ELCOM TECHNICAL DRAWINGS

L907/928/10SMOL3

Medium MOL®3 Latch in 10mm / 3/8" Dish with 27mm / 1 1/16" Offset



Web: www.penn-elcom.com

E-Mail: info@penn-elcom.com

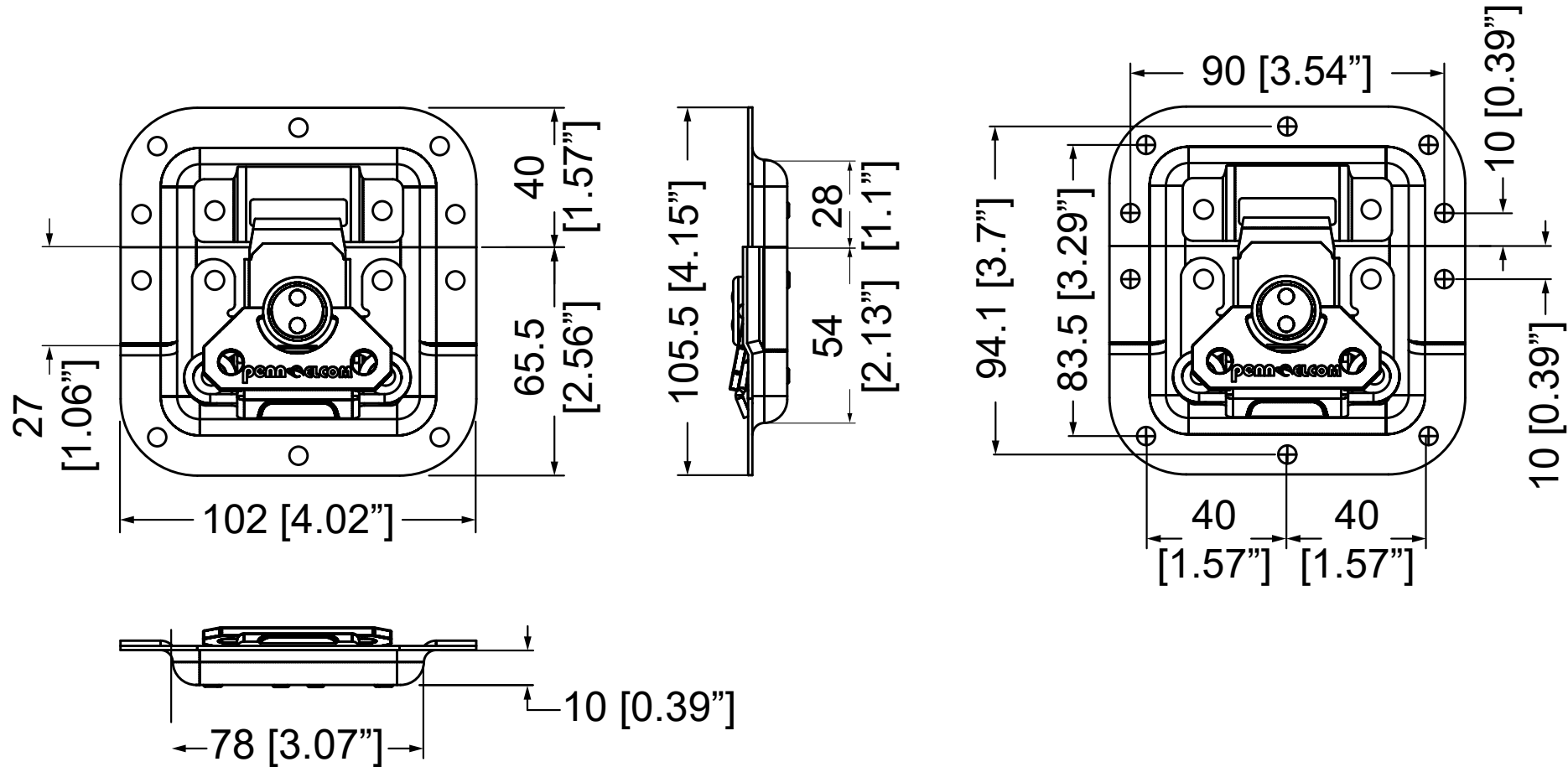
penn ELCOM®

THE INFORMATION CONTAINED IN THIS DRAWING IS THE SOLE PROPERTY OF PENN ELCOM LIMITED. ANY REPRODUCTION OR TRANSFER TO OTHER DOCUMENTS IN PART OR AS A WHOLE WITHOUT THE WRITTEN PERMISSION OF PENN ELCOM LIMITED IS PROHIBITED. PENN ELCOM LIMITED ACCEPTS NO RESPONSIBILITY OR LIABILITY FOR THE CORRECTNESS, ACCURACY AND COMPLETENESS OF THIS ILLUSTRATION.

PENN ELCOM TECHNICAL DRAWINGS

L9075/928/10SMOL3

Medium MOL®3 Latch in 10mm / 3/8" Deep Dish with 27mm / 1 1/16" Offset on Bottom Half Only



Web: www.penn-elcom.com

E-Mail: info@penn-elcom.com

