

MOL[®]4 Series

Left and Right Padlock Brackets

*Innovative Automatic Open/Close System
Low Profile / Flat Cam Technology
Latch Retainer Safety Feature*

Available Split to Hole Center Variations:
10mm / 3/8" and 19mm / 3/4"

Available Offset Variations
No Offset, 22mm / 7/8" and 27mm / 1 1/16"

Available Dish Depth Variations
16mm / 5/8" and 10mm / 3/8"

Material: 1.2mm / 18 gauge steel
Finish: PennBrite™ Zinc
Maximum Load Capacity: 140kg / 308lb

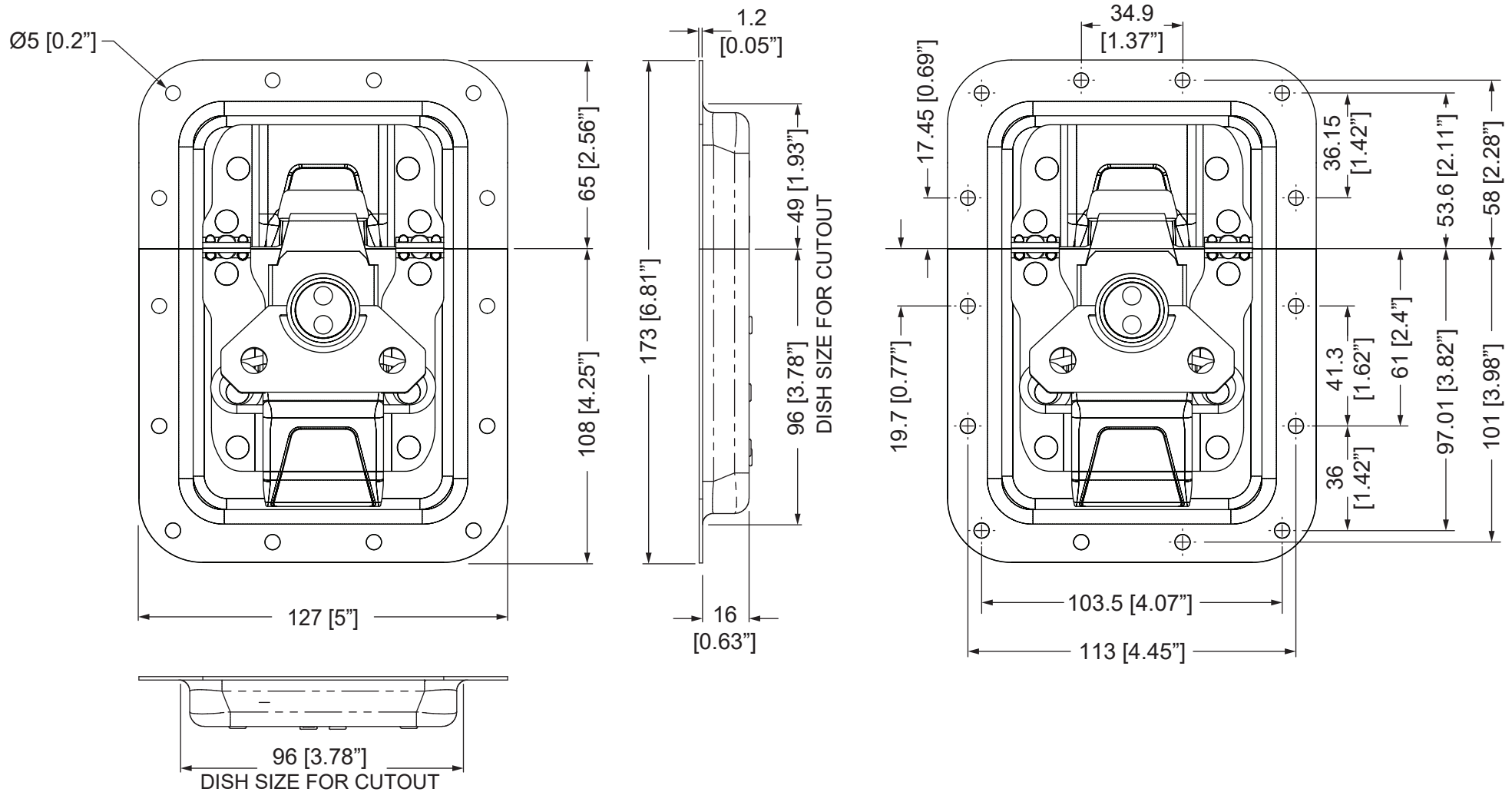


Part No.	Dish Depth	Offset	Lockable	Weight
Split to Hole Centre: 19mm / 3/4"				
L944/525MOL4	16mm / 5/8"	No Offset	2 Padlock Brackets	0.48kg/1.06lb
L944/527MOL4	16mm / 5/8"	27mm / 1 1/16"	2 Padlock Brackets	0.48kg/1.06lb
L944/525/10MOL4	10mm / 3/8"	No Offset	2 Padlock Brackets	0.48kg/1.06lb
L944/527/10MOL4	10mm / 3/8"	27mm / 1 1/16"	2 Padlock Brackets	0.48kg/1.06lb
Split to Hole Centre: 10mm / 3/8				
L944/530MOL4	16mm / 5/8"	No Offset	2 Padlock Brackets	0.48kg/1.06lb
L944/578MOL4	16mm / 5/8"	22mm / 7/8"	2 Padlock Brackets	0.48kg/1.06lb
L944/537MOL4	16mm / 5/8"	27mm / 1 1/16"	2 Padlock Brackets	0.48kg/1.06lb
L944/53010MOL4	10mm / 3/8"	No Offset	2 Padlock Brackets	0.48kg/1.06lb
L944/537/10MOL4	10mm / 3/8"	27mm / 1 1/16"	2 Padlock Brackets	0.48kg/1.06lb

PENN ELCOM TECHNICAL DRAWINGS

L944/525MOL4

Large MOL®4 Latch in 16mm / 5/8" Deep Plain Dish. Split to Hole Centre 19mm / 3/4".



Web: www.penn-elcom.com

E-Mail: info@penn-elcom.com

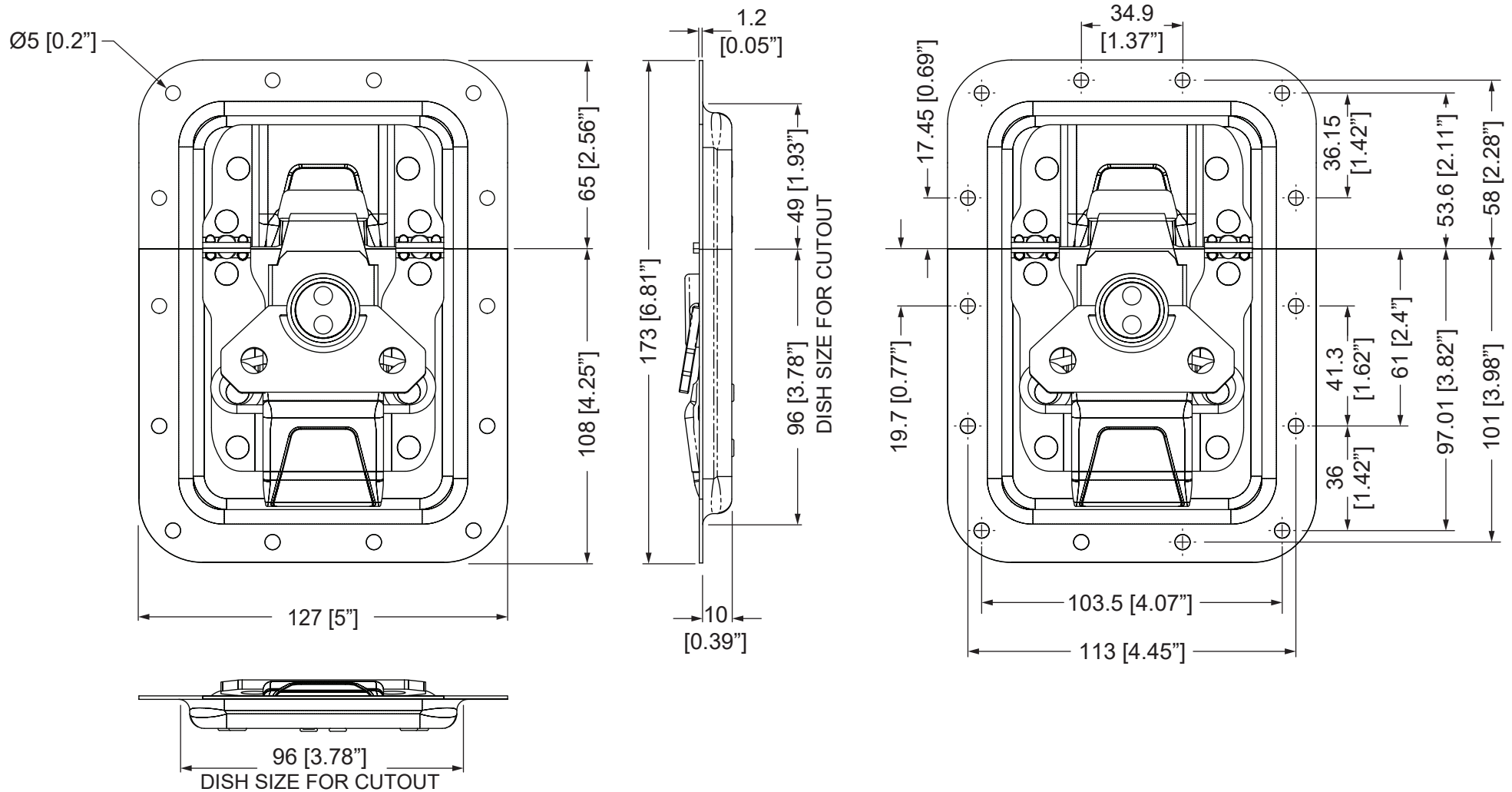
penn ELCOM®

THE INFORMATION CONTAINED IN THIS DRAWING IS THE SOLE PROPERTY OF PENN ELCOM LIMITED. ANY REPRODUCTION OR TRANSFER TO OTHER DOCUMENTS IN PART OR AS A WHOLE WITHOUT THE WRITTEN PERMISSION OF PENN ELCOM LIMITED IS PROHIBITED. PENN ELCOM LIMITED ACCEPTS NO RESPONSIBILITY OR LIABILITY FOR THE CORRECTNESS, ACCURACY AND COMPLETENESS OF THIS ILLUSTRATION.

PENN ELCOM TECHNICAL DRAWINGS

L944/525/10MOL4

Large MOL®4 Latch in 10mm / 3/8" Deep Plain Dish. Split to Hole Centre 19mm / 3/4".



Web: www.penn-elcom.com

E-Mail: info@penn-elcom.com

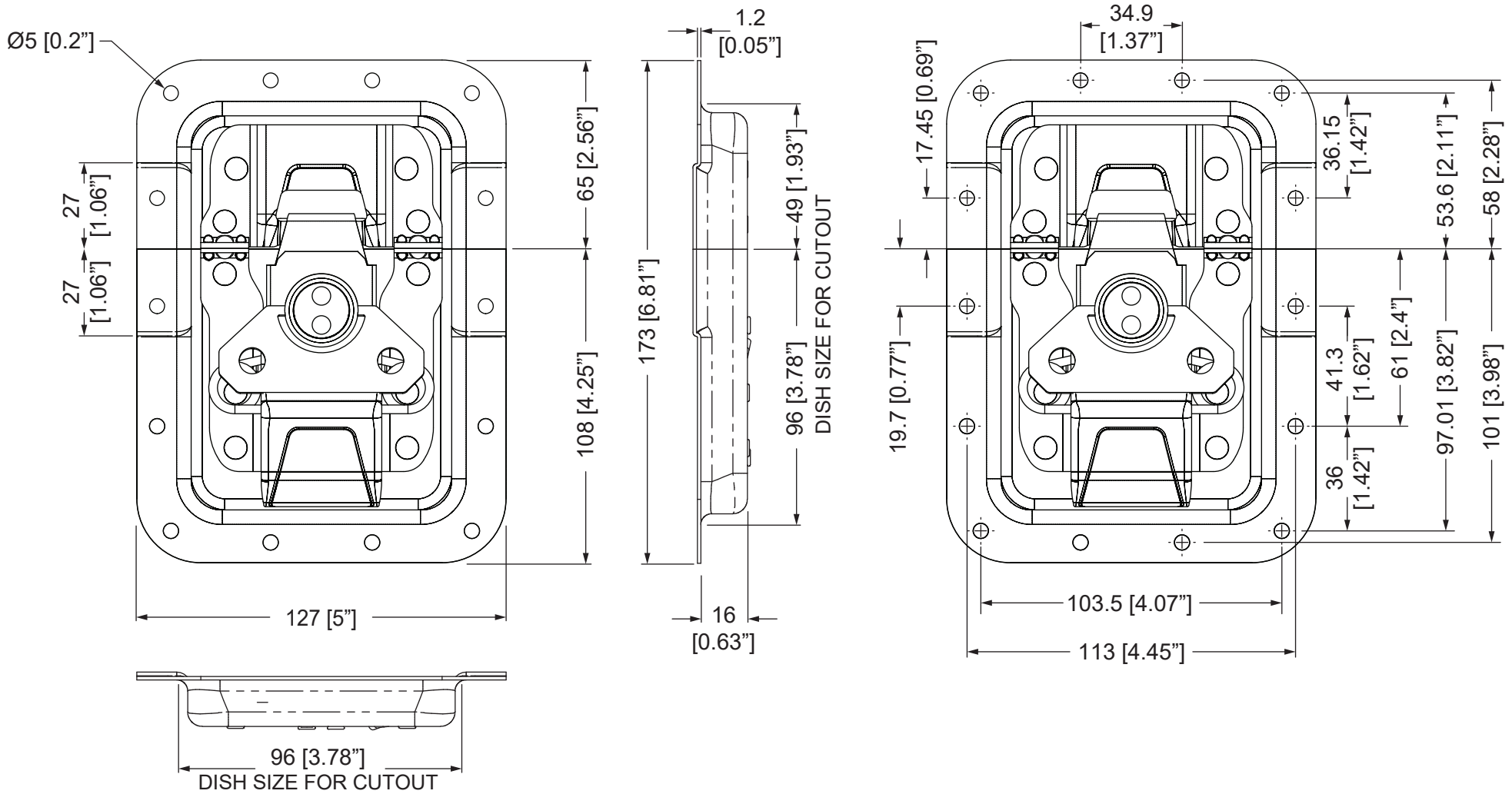
penn ELCOM®

THE INFORMATION CONTAINED IN THIS DRAWING IS THE SOLE PROPERTY OF PENN ELCOM LIMITED. ANY REPRODUCTION OR TRANSFER TO OTHER DOCUMENTS IN PART OR AS A WHOLE WITHOUT THE WRITTEN PERMISSION OF PENN ELCOM LIMITED IS PROHIBITED. PENN ELCOM LIMITED ACCEPTS NO RESPONSIBILITY OR LIABILITY FOR THE CORRECTNESS, ACCURACY AND COMPLETENESS OF THIS ILLUSTRATION.

PENN ELCOM TECHNICAL DRAWINGS

L944/527MOL4

Large MOL®4 Latch in 16mm / 5/8" Deep Dish with 27mm / 1 1/16" Offset. Split to Hole Centre 19mm / 3/4".



Web: www.penn-elcom.com

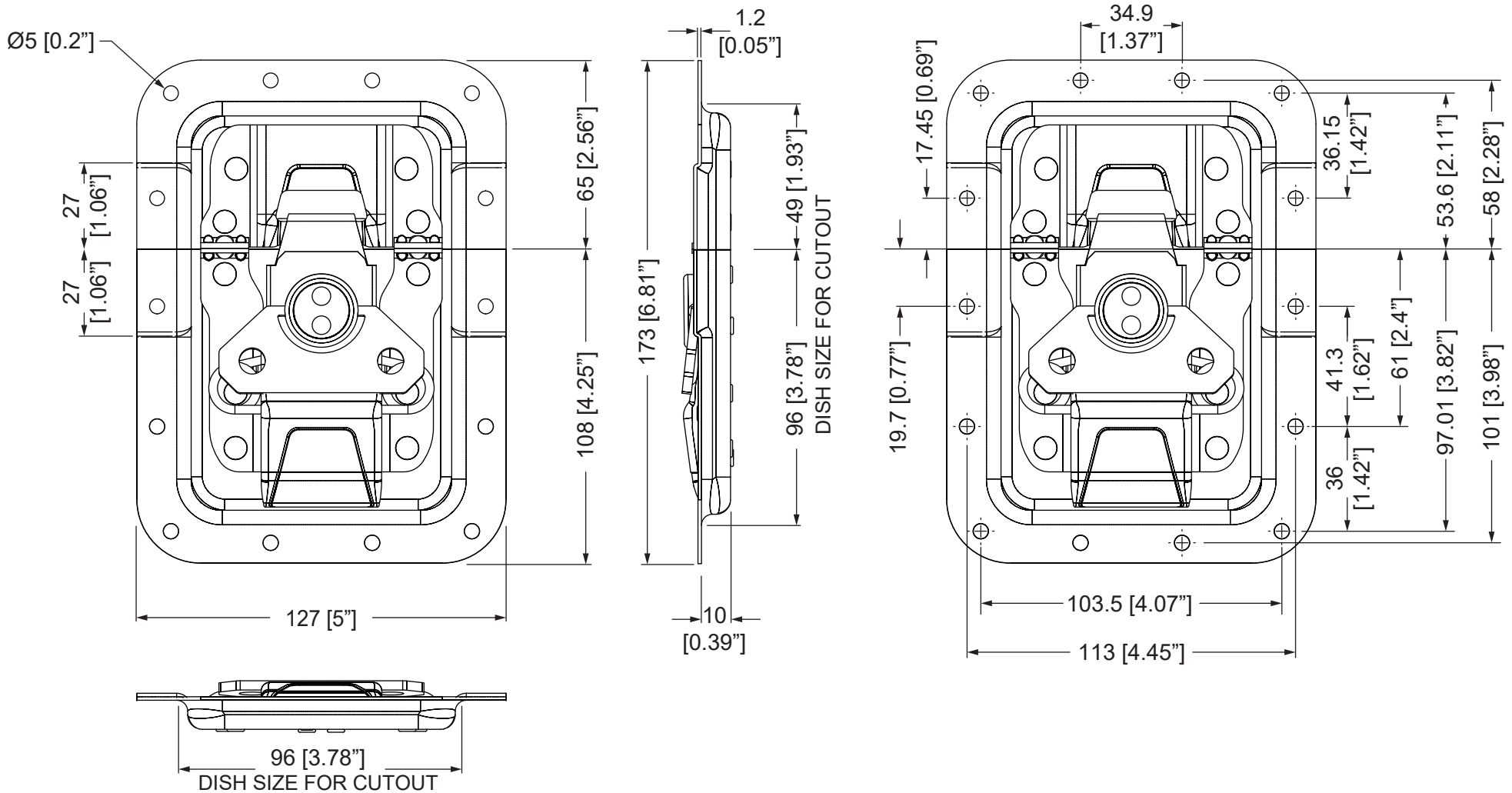
E-Mail: info@penn-elcom.com



PENN ELCOM TECHNICAL DRAWINGS

L944/527/10MOL4

Large MOL®4 Latch in 10mm / 3/8" Deep Dish with 27mm / 1 1/16" Offset. Split to Hole Centre 19mm / 3/4".



Web: www.penn-elcom.com

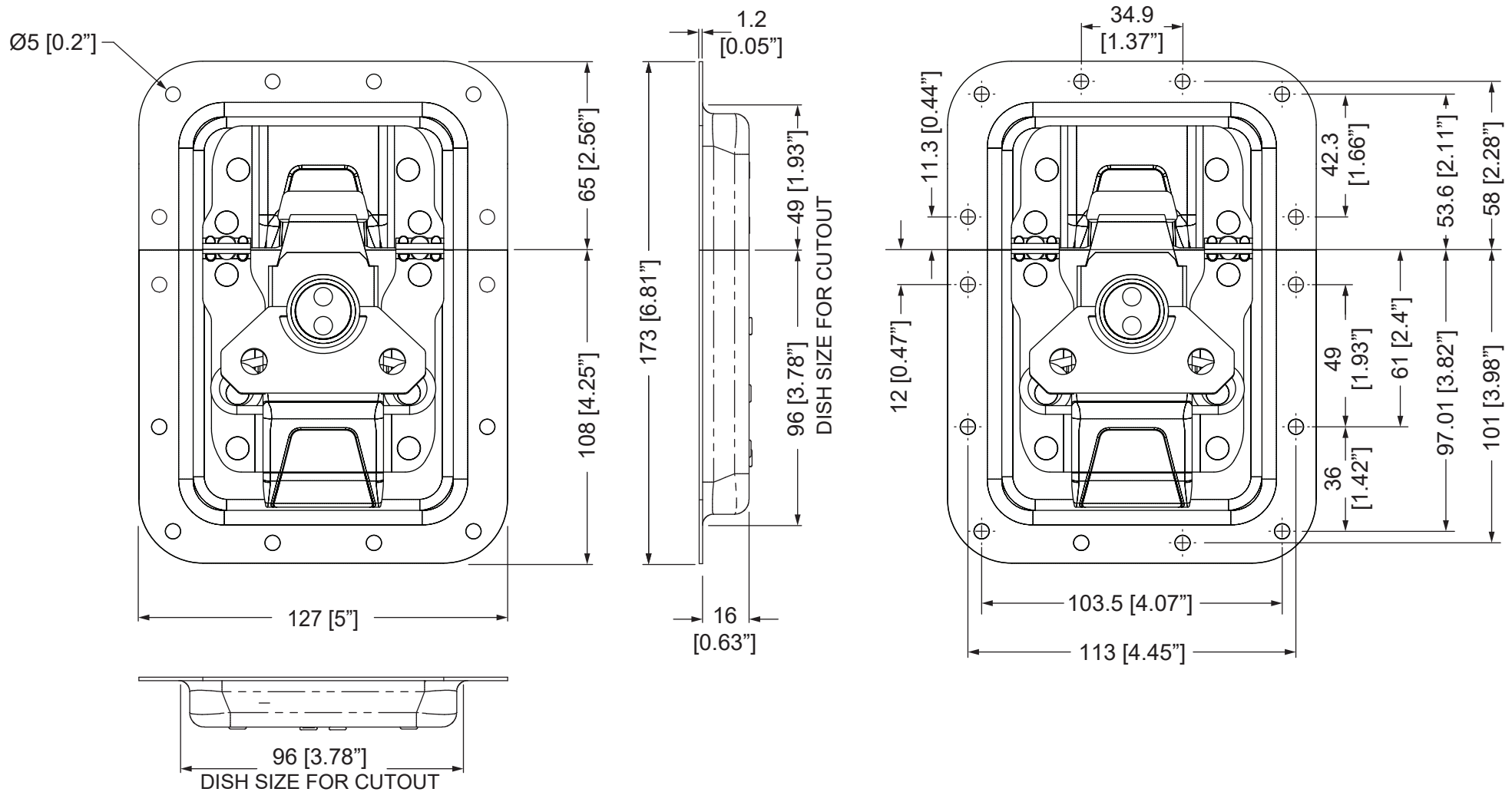
E-Mail: info@penn-elcom.com



PENN ELCOM TECHNICAL DRAWINGS

L944/530MOL4

Large MOL®4 Latch in 16mm / 5/8" Deep Plain Dish. Split to Hole Centre 10mm / 3/8".



Web: www.penn-elcom.com

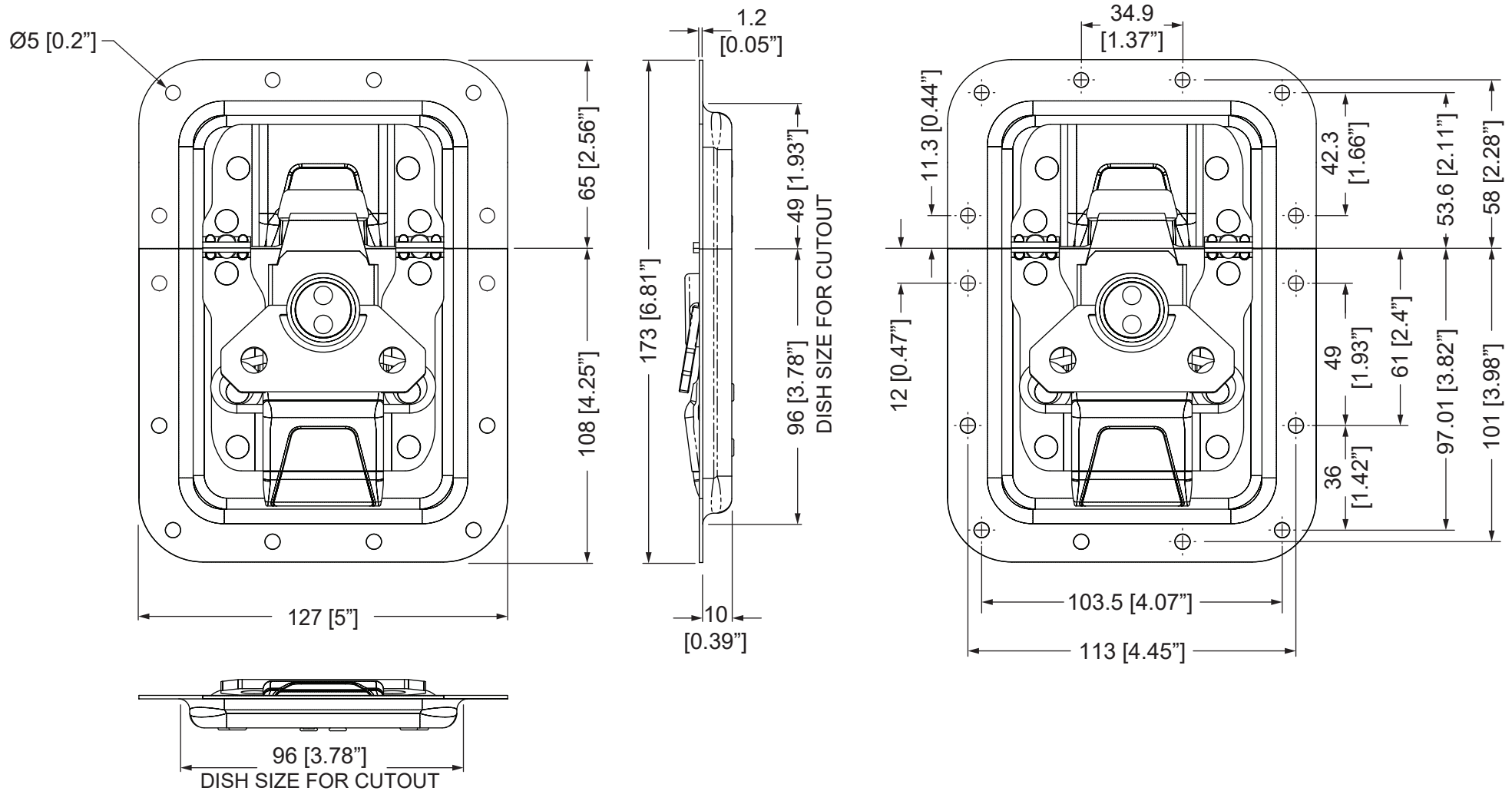
E-Mail: info@penn-elcom.com



PENN ELCOM TECHNICAL DRAWINGS

L944/53010MOL4

Large MOL®4 Latch in 10mm / 3/8" Deep Plain Dish. Split to Hole Centre 10mm / 3/8".



Web: www.penn-elcom.com

E-Mail: info@penn-elcom.com

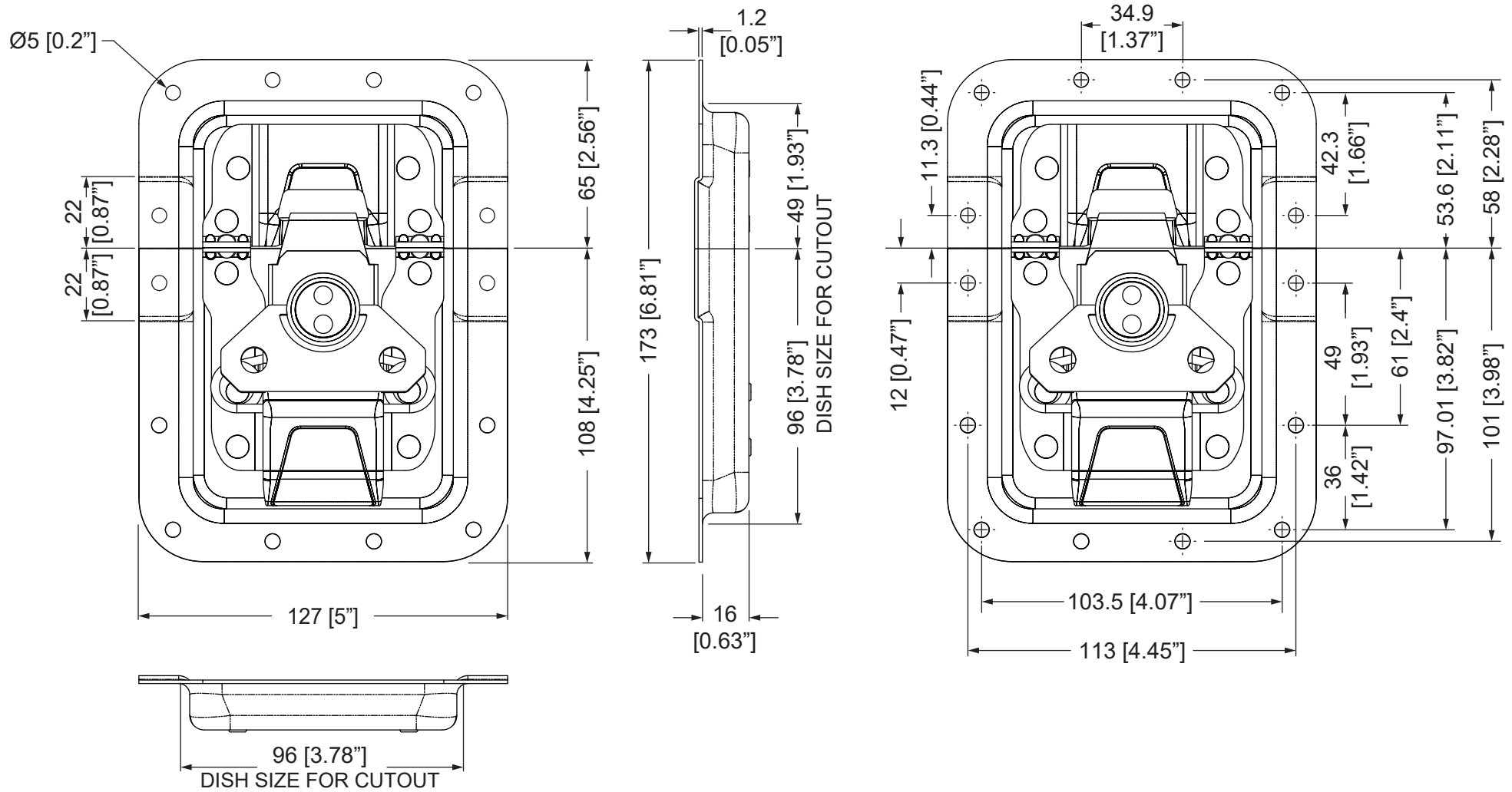
penn ELCOM®

THE INFORMATION CONTAINED IN THIS DRAWING IS THE SOLE PROPERTY OF PENN ELCOM LIMITED. ANY REPRODUCTION OR TRANSFER TO OTHER DOCUMENTS IN PART OR AS A WHOLE WITHOUT THE WRITTEN PERMISSION OF PENN ELCOM LIMITED IS PROHIBITED. PENN ELCOM LIMITED ACCEPTS NO RESPONSIBILITY OR LIABILITY FOR THE CORRECTNESS, ACCURACY AND COMPLETENESS OF THIS ILLUSTRATION.

PENN ELCOM TECHNICAL DRAWINGS

L944/578MOL4

Large MOL®4 Latch in 16mm / 5/8" Deep Dish with 22mm / 7/8" Offset. Split to Hole Centre 10mm / 3/8".



Web: www.penn-elcom.com

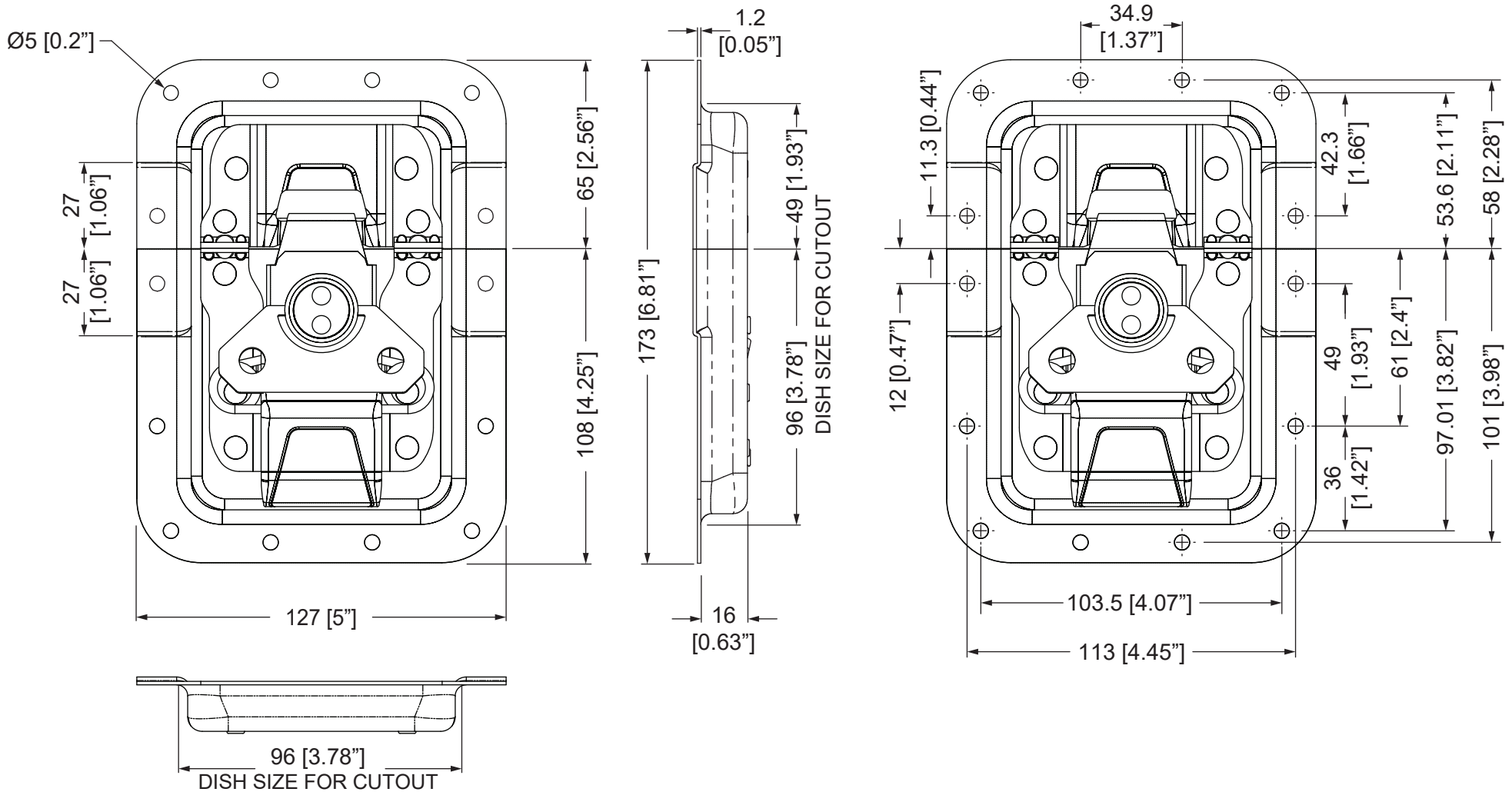
E-Mail: info@penn-elcom.com



PENN ELCOM TECHNICAL DRAWINGS

L944/537MOL4

Large MOL®4 Latch in 16mm / 5/8" Deep Dish with 27mm / 1 1/16" Offset. Split to Hole Centre 10mm / 3/8".



Web: www.penn-elcom.com

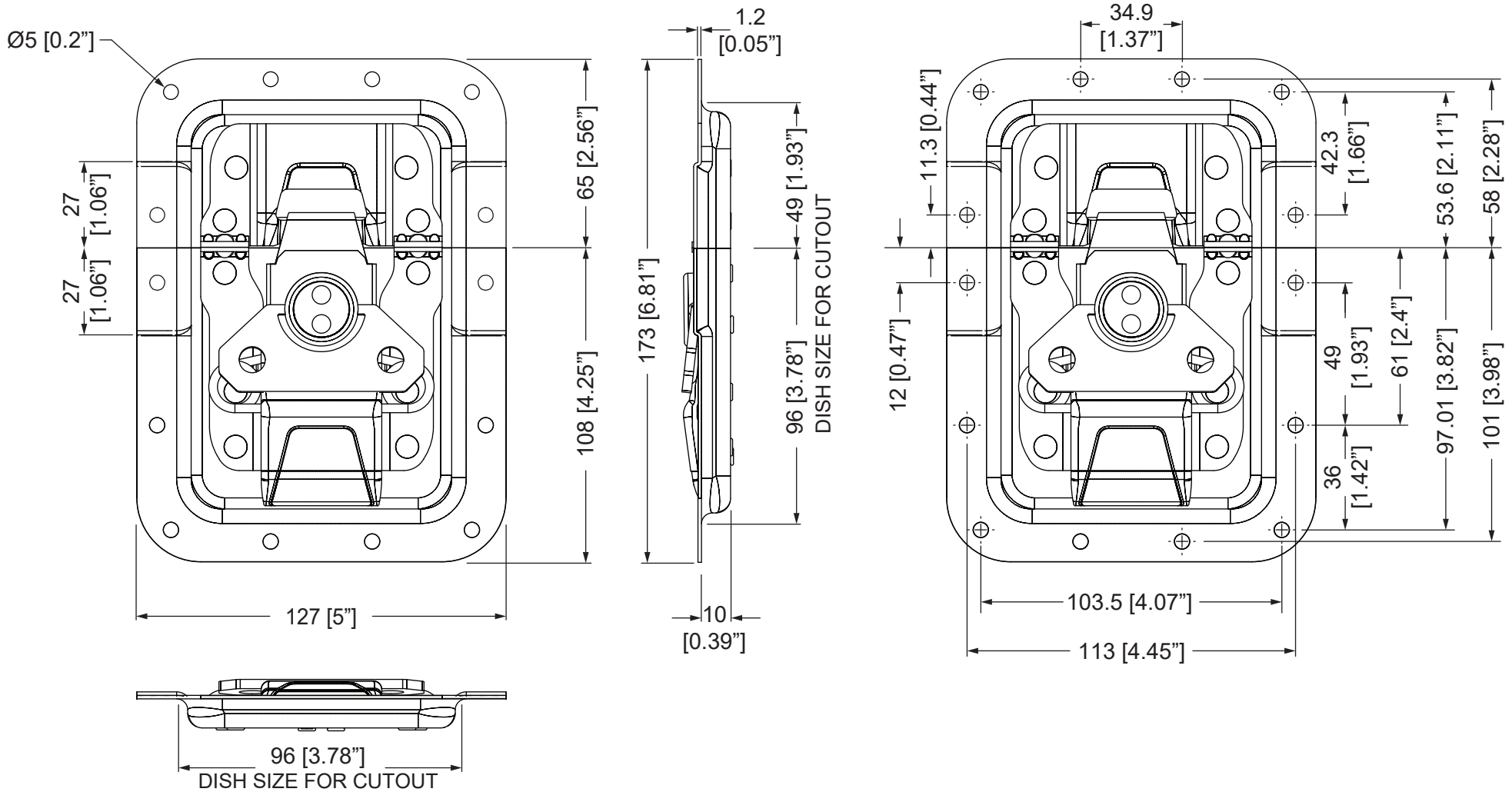
E-Mail: info@penn-elcom.com



PENN ELCOM TECHNICAL DRAWINGS

L944/537/10MOL4

Large MOL®4 Latch in 10mm / 3/8" Deep Dish with 27mm / 1 1/16" Offset. Split to Hole Centre 10mm / 3/8".



Web: www.penn-elcom.com

E-Mail: info@penn-elcom.com

