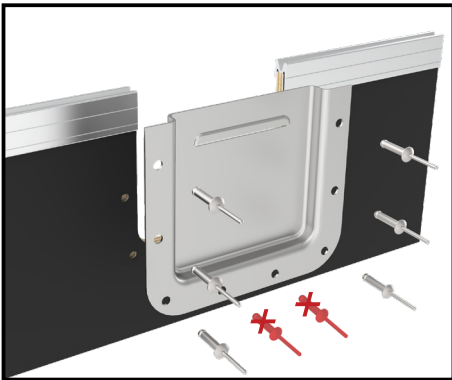
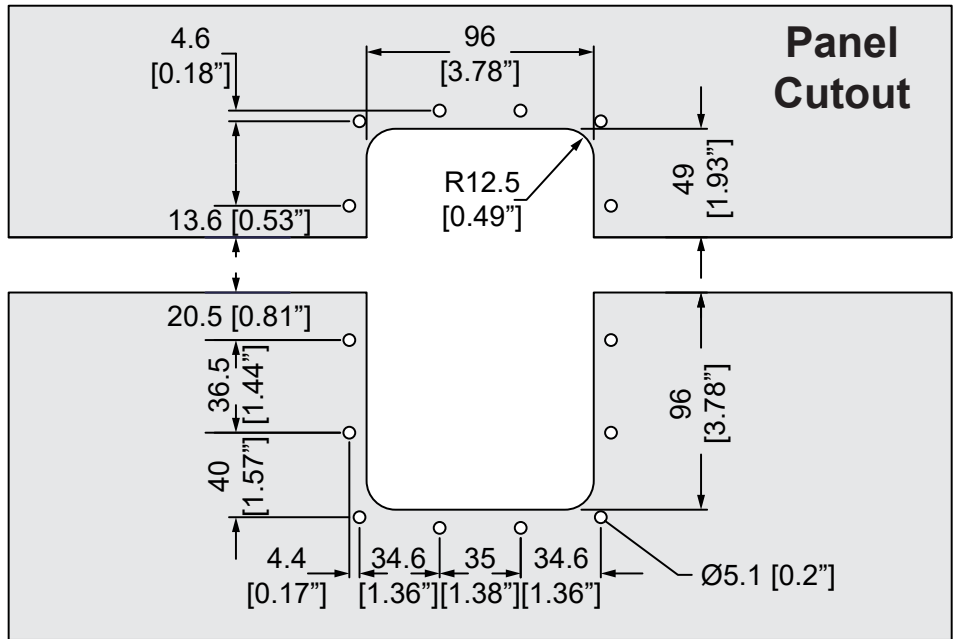
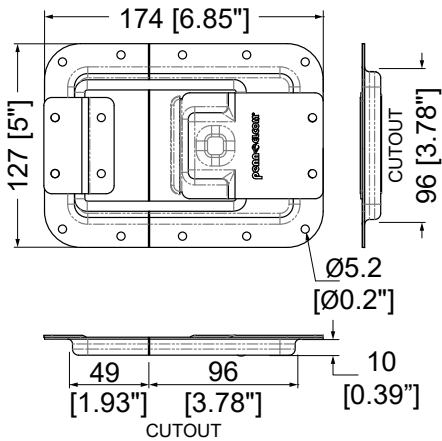
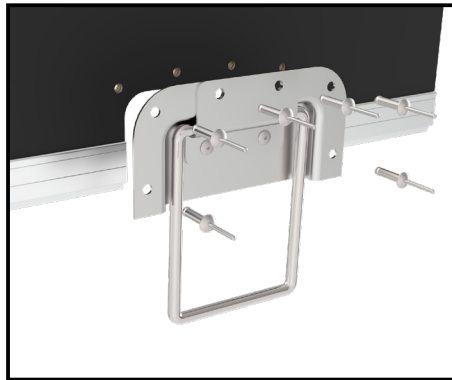


D0553-SD - Lid Stay with Anti-Slam System Instruction Manual



1. Partially mount the large bottom dish first. Take care as you MUST leave the two bottom centre holes empty for step 6.



2. Next, fully mount the small top dish.



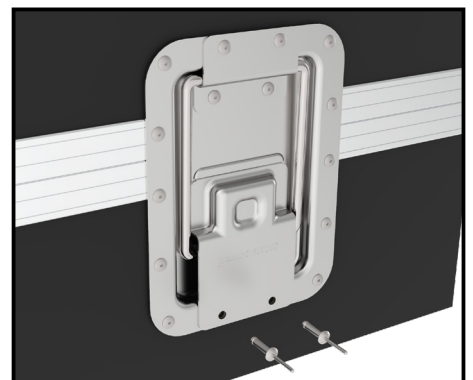
3. Attach the plastic spring holder on the wire's short end with the pins pointing toward the dish.



4. Mount the two springs onto the holder's pins.



5. Place the provided wireplate onto the dish and firmly pull down, contracting the springs until engaged in slot. Take care as the spring tension will now require force to hold in place.



6. Keeping the wireplate in position at all times, fix the last two rivets into the bottom two centre holes.