

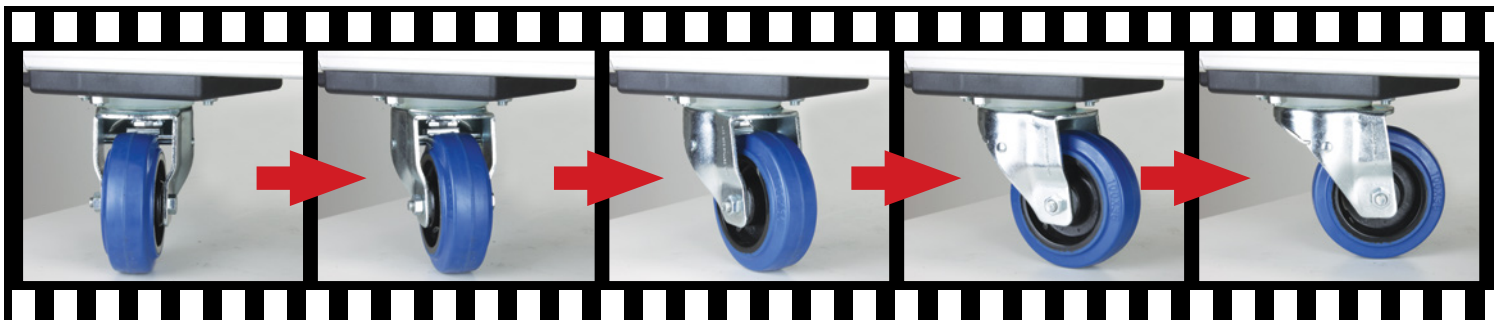
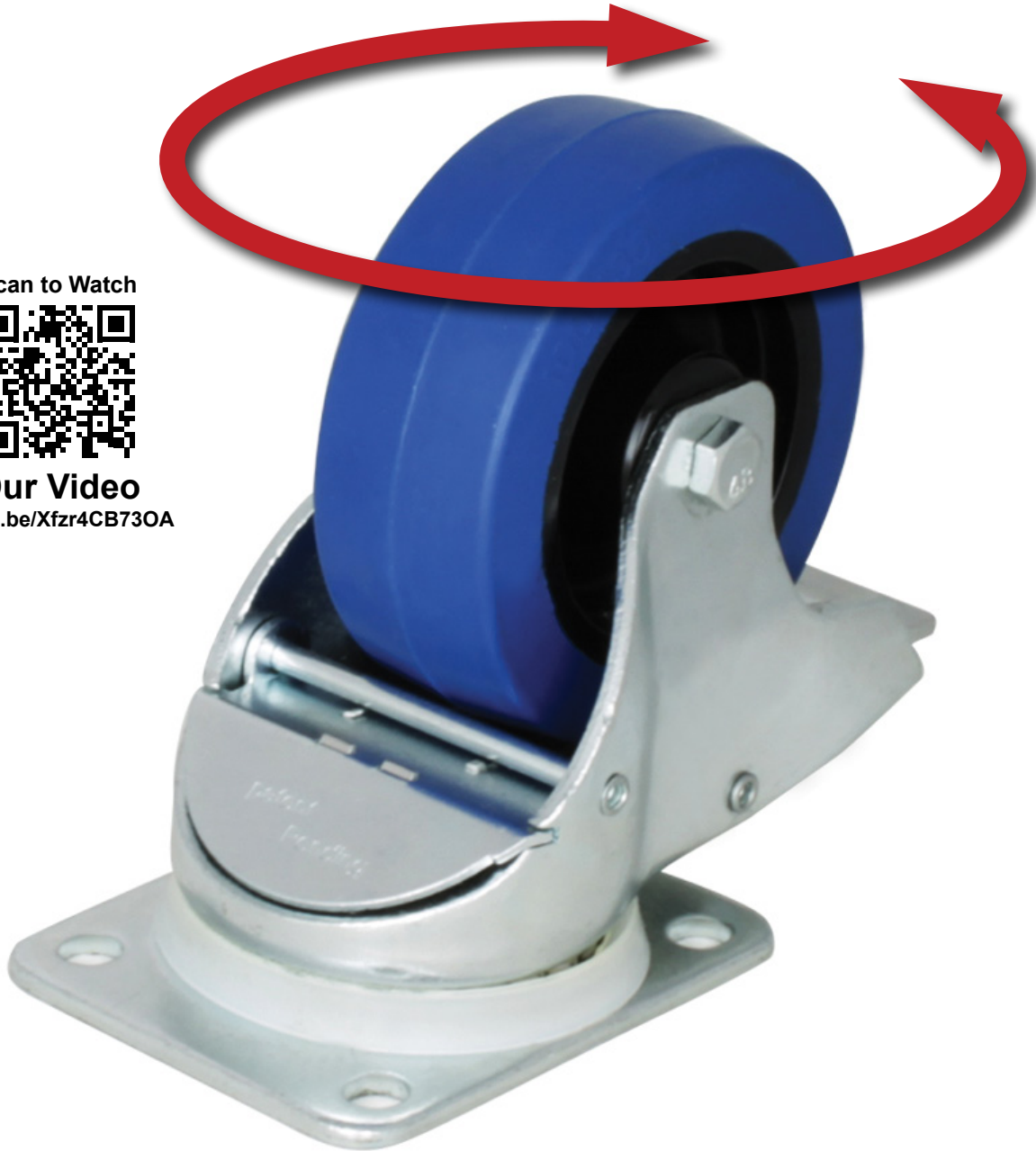
Automatic Self-aligning Castors

Scan to Watch



Our Video

youtu.be/Xfzr4CB730A



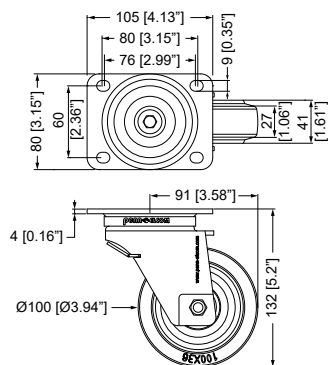
V2.1 - June 1, 2022

Web: www.penn-elcom.com
E-Mail: info@penn-elcom.com

penn  **ELCOM**[®]

The new 100mm / 4" automatic castors with blue rubber wheels are a unique self-centering castor that swivel back to their original position when lifted off a surface.

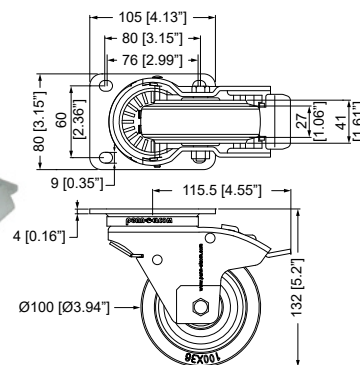
To use, just lift your case and each castor will quickly return to their starting alignment, ensuring that you no longer need to manually spin them. This makes stacking cases faster, safer and require less hands.



W0990-AUTO

Automatic Swivel Castor

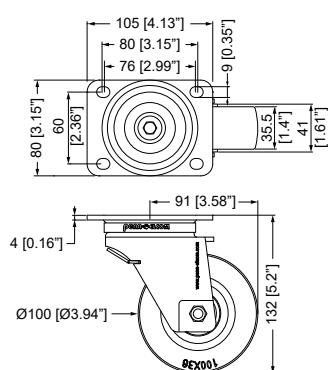
Tyre Thickness	27mm / 1"
Carrying Weight	200kg / 440Lb per wheel
Break	No
Wheel Diameter Ø	100mm / 3.94"



W0985-AUTO

Automatic Swivel Castor with Brake

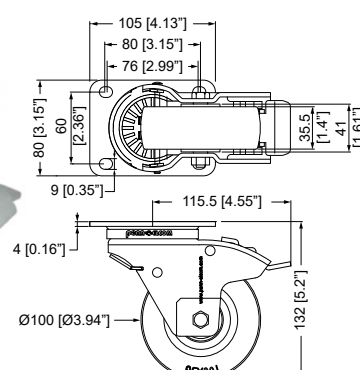
Tyre Thickness	27mm / 1"
Carrying Weight	200kg / 440Lb per wheel
Break	Yes
Wheel Diameter Ø	100mm / 3.94"



W9000-AUTO

Automatic Swivel Castor

Tyre Thickness	36mm / 1.4"
Carrying Weight	250kg / 550Lb per wheel
Break	No
Wheel Diameter Ø	100mm / 3.94"



W9008-AUTO

Automatic Swivel Castor with Brake

Tyre Thickness	36mm / 1.4"
Carrying Weight	250kg / 550Lb per wheel
Break	Yes
Wheel Diameter Ø	100mm / 3.94"